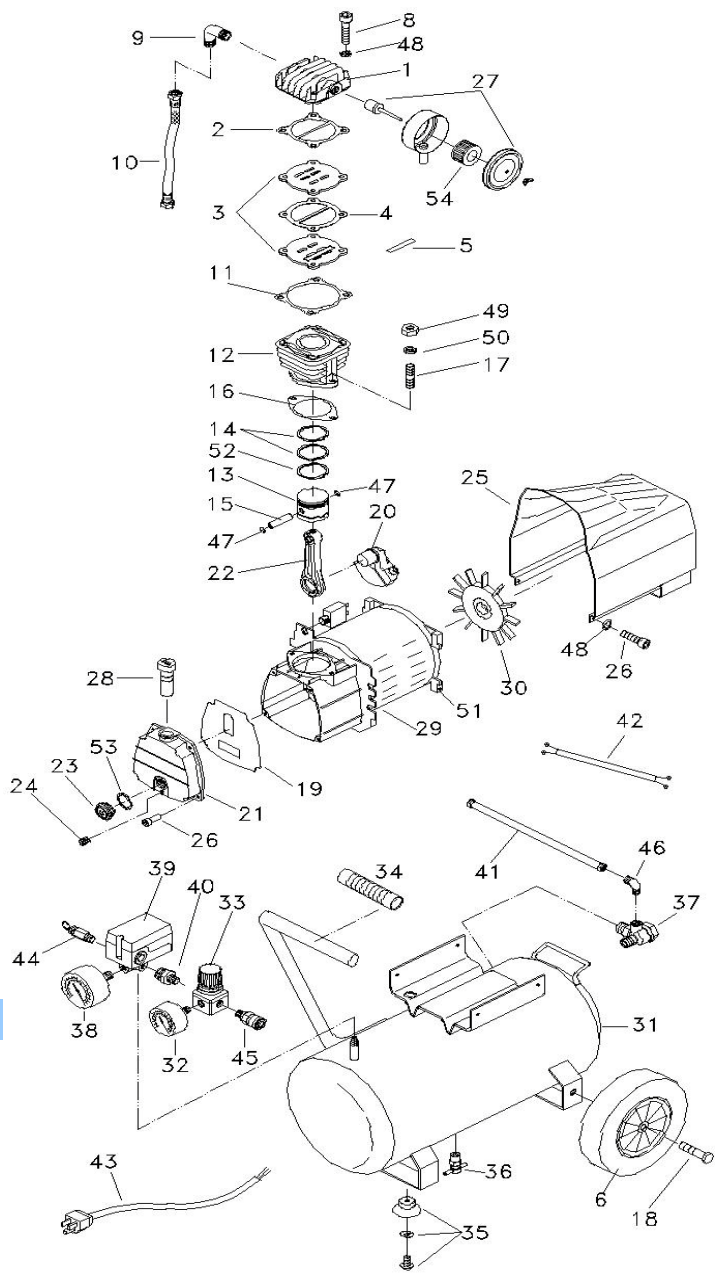


**Eagle Air Compressor part breakdown sheet - 653036L**

Item	Description	Part	Item	Description	Part
1	Cylinder head	101001	29	Motor / Crankcase	251209-1
2	Cylinder head gasket	211001	30	Cooling fan	431001
3	In & Outlet valve seat gasket	212001	31	Air tank	401054
4	In & Outlet valve seat gasket	212006	32	Pressure gauge-Regulator	411005
5	In & Outlet valve plate	125004	33	Pressure regulator	410001
6	Tank wheel ass'y	402009	34	Rubber handle	435002
8	Bolt/washer-cylinder head	352087	35	Tank foot ass'y	434002S
9	Discharge elbow	151403	36	Drain cock	406003
10	Discharge tube assembly	242072	37	Check valve	409008
11	Valve seat to cylinder gasket	213001	38	Pressure gauge-Tank	411006
12	Cylinder	201013	39	Pressure switch	412021
13	Piston	203002	40	Nipple	441001
14	Compression/Oil ring set	206002S	41	Unloading tube ass'y	240086S
15	Piston pin w/snap rings	204002S	42	Wiring harness Pr. Switch-Mot.	453076
16	Cylinder to crankcase gasket	214001	43	Power cord w/ plug	452005
17	Double head screw	358001	44	Safety valve	407001
18	Bolt	351115	45	Quick coupler	447013
19	Crankcase cover gasket	215001	46	Unloading tube elbow	151001
20	Crankshaft	302001	47	Snap ring	205001
21	Crankcase cover	304002	48	Spring washer	382011
22	Connecting rod	316001	49	Set nut	371005
23	Oil gauge w/ gasket	321001S	50	Spring washer	382005
24	Oil drain plug	360001	51	Motor rear cover	305001
25	Motor cover	433001	52	Oil control ring	307002
26	Motor cover bolt	352091	53	Oil gauge gasket	217001
27	Air filter ass'y	170013	54	Filter (element only)	171006
28	Oil fill plug	323103		Eagle Compressor Oil	EAOIL10



**Call 1-800-551-2406 for the Customer Service Department.**



**653036L**

