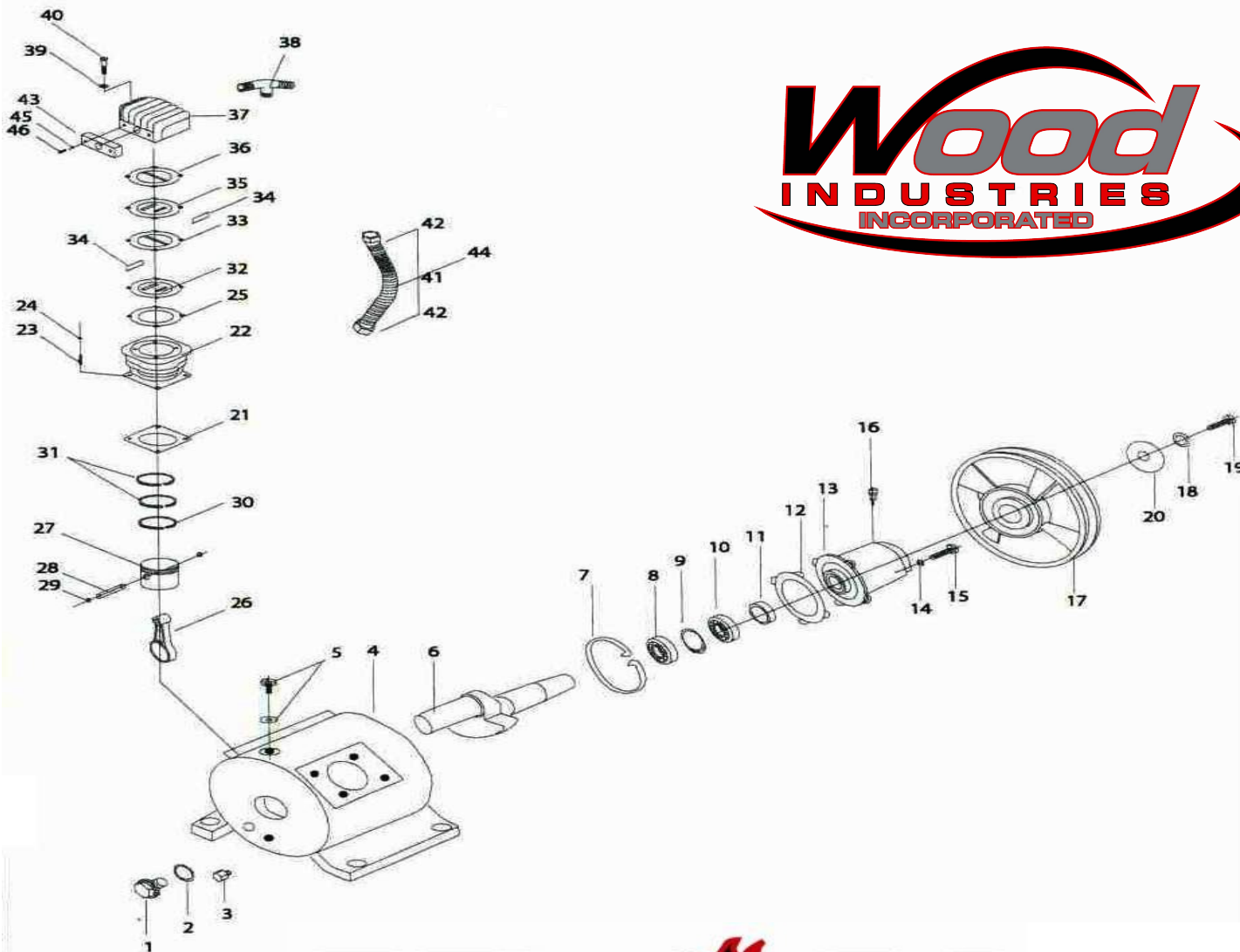




Item	Description	Qty	Part #
1	Oil sight gauge	1	TB-10-01
2	Oil sight gauge gasket	1	TB-10-02
3	Oil drain plug	1	TB-10-03
4	Crankcase	1	TB-10-04
5	Oil fill plug & "O" ring	1	TB-10-05
6	Crankshaft	1	TB-10-06
7	Front bearing snap ring	1	TB-10-07
8	Front bearing	1	TB-10-08
9	Rear bearing snap ring	1	TB-10-09
10	Rear bearing	1	TB-10-10
11	Oil seal	1	TB-10-11
12	Crank - rear bearing housing	1	TB-10-12
13	Rear bearing housing	1	TB-10-13
14	Rear bearing housing washer	4	TB-10-14
15	Rear bearing housing bolt	4	TB-10-15
16	Crank breather & "O" ring	1	TB-10-16
17	Flywheel	1	TB-10-17
18	Flywheel lockwasher	1	TB-10-18
19	Flywheel bolt	1	TB-10-19
20	Flywheel washer	1	TB-10-20
21	Cylinder - crankcase gasket	2	TB-10-21
22	Cylinder	2	TB-10-22
23	Cylinder mounting screw	8	TB-10-23
24	Cylinder mounting nut	8	TB-10-24
25	Valve seat - cylinder gasket	2	TB-30-11
26	Connecting rod	2	TB-10-26
27	Piston	2	TB-10-27
28	Piston pin	2	TB-10-28
29	Piston pin clip	4	TB-10-29
30	Oil control ring	2	TB-10-30
31	Compression ring	4	TB-10-31
32	Lower valve seat	2	TB-30-08
33	Middle alum. valve seat gasket	2	TB-30-09
34	Valve plate	4	TB-30-10
35	Upper valve seat	2	TB-30-08
36	Cylinder head gasket	2	TB-30-07
37	Cylinder head	2	TB-10-37
38	3-way interstage connector	1	TB-10-38
39	Cylinder head bolt washer	8	TB-10-39
40	Cylinder head bolt	8	TB-10-40
41	Interstage tube with fins	1	TB-10-41
42	Interstage tube connector nut	2	TB-10-42
43	Air filter assembly	2	TB-30-04
44	Interstage tube assembly	1	TB-10-44
45	Air filter assembly washer	4	TB-10-45
46	Air filter assembly bolt	4	TB-30-06



1-800-551-2406

CC2051