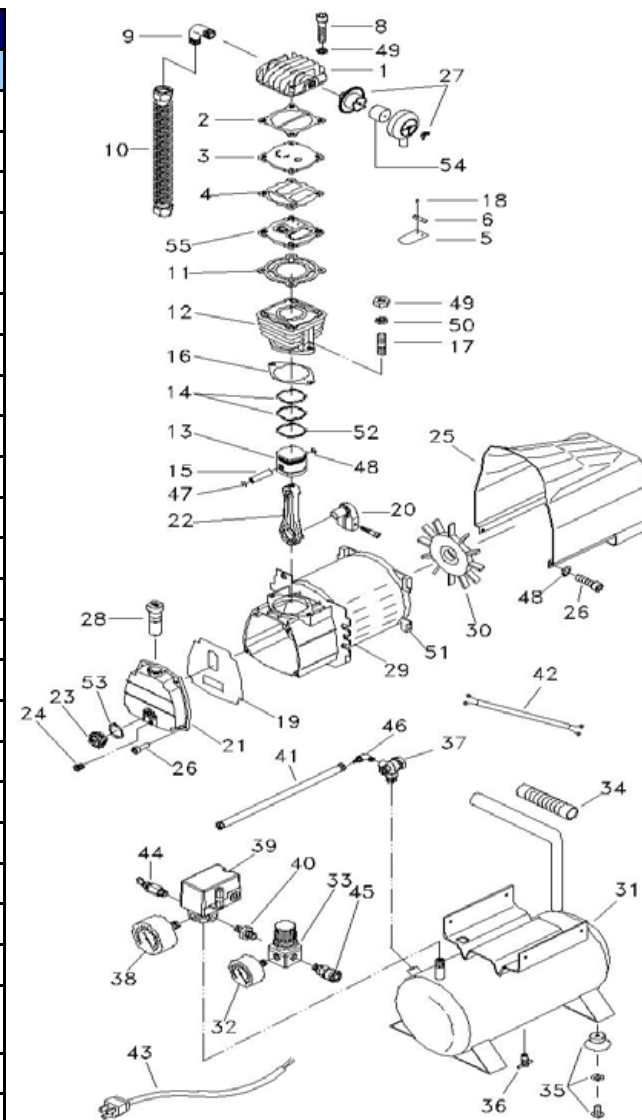


## Eagle Air Compressor part breakdown sheet - HD1518L

Item	Description	Part	Item	Description	Part
1	Cylinder head	101001	30	Cooling fan	431001
2	Cylinder head gasket	211001	31	Air tank	401014
3	In valve seat	104001	32	Pressure gauge-Regulator	411005
4	In & Outlet valve seat gasket	212001	33	Pressure regulator	410001
5	In & Outlet valve plate	125001	34	Rubber handle	435002
6	In & Outlet spring plate	127001	35	Tank foot ass'y	434002S
8	Bolt - cylinder head	352087	36	Drain cock	406003
9	Discharge elbow	151403	37	Check valve	409008
10	Discharge tube assembly	230092S	38	Pressure gauge-Tank	411006
11	Valve seat to cylinder gasket	213001	39	Pressure switch	412021
12	Cylinder	201013	40	Nipple	441001
13	Piston	203002	41	Unloading tube ass'y	240080S
14	Compression/Oil ring set	206002S	42	Wiring harness Pr. Switch-Mot.	453077
15	Piston pin w/snap rings	204002S	43	Power cord w/ plug	452005
16	Cylinder to crankcase gasket	214001	44	Safety valve	407001
17	Double head screw	358001S	45	Quick coupler	447013
18	Valve plate screw	126001	46	Unloading tube elbow	151001
19	Crankcase cover gasket	215001	47	Snap ring	205001
20	Crankshaft	302001	48	Spring washer	382011
21	Crankcase cover	304003	49	Set nut	371005
22	Connecting rod	316001	50	Spring washer	382005
23	Oil gauge w/ gasket	321001S	51	Motor rear cover	305001
24	Oil drain plug	360001	52	Oil control ring	207002
25	Motor cover	433001	53	Oil gauge gasket	217001
26	Motor cover bolt	352091	54	Air filter (element only)	171002
27	Air filter ass'y	170006	55	Outlet valve seat	114001
28	Oil fill plug	323103		Outlet valve seat Ass'y	124001
29	Motor / Crankcase	251215		Eagle Oil	EAOIL10



# HD1518L

Call 1-800-551-2406 for the Customer Service Department.

