

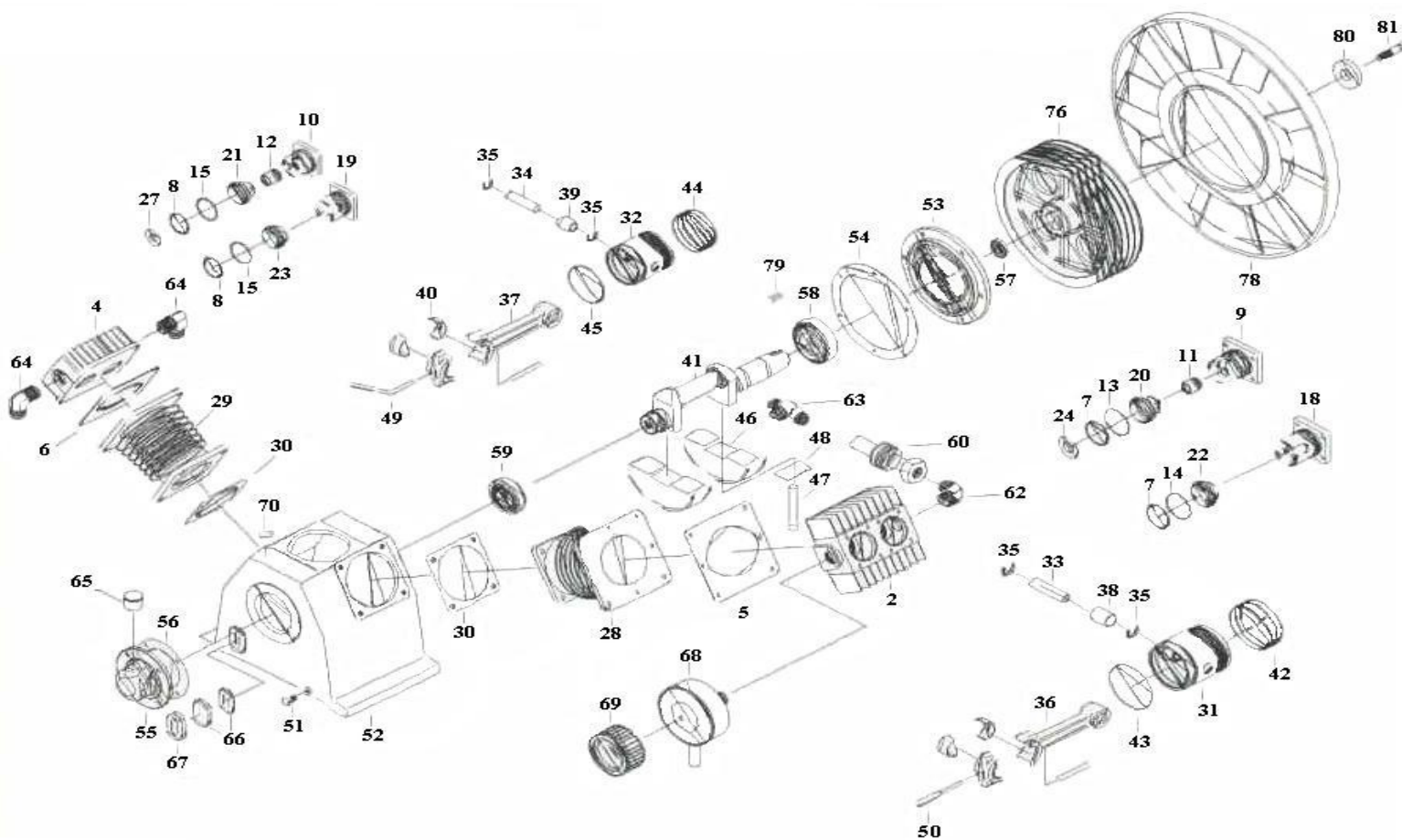
Eagle Compressor breakdown sheet - HPT15



Item	Description	Part #
1	cyl. head ass'y (1st) (n/s)	51135-0100
2	cylinder head (1st)	51135-0101
3	cyl. head ass'y (2nd) (n/s)	51175-0100
4	cylinder head (2nd)	51124-0101
5	cylinder head gasket (1st)	51135-0102
6	cylinder head gasket (2nd)	51124-0102
7	copper gasket (1st)	51135-0111
8	copper gasket (2nd)	51124-0111
9	inlet valve cover (1st)	51135-0115
10	inlet valve cover (2nd)	51124-0115
11	unloading piston (1st)	51135-0122
12	unloading piston (2nd)	51124-0122
13	O-ring (1st) (inlet)	83602-710065
14	O-ring (1st) (outlet)	83602-710065
15	O-ring (2nd)	83602-770055
16	O-ring (1st) (n/s)	83601-770022A
17	O-ring (2nd) (n/s)	83601-770022
18	outlet valve push cover (1st)	51135-0145
19	outlet valve push cover (2nd)	51124-0145
20	inlet valve ass'y (1st)	51135-2100
21	inlet valve ass'y (2nd)	51124-2100
22	outlet valve ass'y (1st)	51135-3100
23	outlet valve ass'y (2nd)	51124-3100
24	in & outlet valve plate (1st)	51135-2103
25	inlet valve spring (n/s)	51135-2107
26	outlet valve spring (n/s)	51135-3107
27	in & outlet valve plate (2nd)	51124-2103
28	cylinder (1st)	51135-4101
29	cylinder (2nd)	51175-4201
30	cylinder to crankcase gasket	51135-4103
31	piston (1st)	51135-5101
32	piston (2nd)	51175-5201
33	piston pin (1st) w/ snap ring	51135-5112
34	piston pin (2nd) w/ snap ring	51175-5212
35	piston snap ring	51135-5107
36	con-rod ass'y (1st) w/ dipper	51135-5120
37	con-rod ass'y (2nd) w/ dipper	51175-5220
38	con-rod piston bush (1st)	51135-5108
39	con-rod piston bush (2nd)	51175-5208
40	connecting rod crankpin metal	51135-5109
41	crankshaft	51135-4601
42	compression ring (1st)	51135-5103
43	oil control ring (1st)	51135-5105
44	compression ring (2nd)	51124-5103
45	oil control ring (2nd)	51124-5105
46	crankshaft counter weight	51135-4603

Item	Description	Part #
47	crankshaft bolt	51135-4681
48	counter weight lock washer	51135-4683
49	oil splash dipper (angle)	51135-5128
50	oil splash dipper (straight)	51135-5127
51	crankcase oil plug	80112-000202
52	crankcase	51135-4701
53	front bearing cover	51135-4703
54	front bearing cover gasket	51135-4704
55	rear bearing cover	51134-4706
56	rear bearing cover gasket	51134-4707
57	front oil seal	51134-4708
58	front bearing	83502-30310
59	rear bearing	83502-32210
60	inter-cooler tube (1st - 1st)	51175-7710
61	inter-cooler tube (2nd) (n/s)	51175-7720
62	elbow fitting	51134-7701
63	"Y" fitting	51134-7702

Item	Description	Part #
64	elbow fitting	51134-7710
65	breather cap	51124-4760
66	oil level gauge ass'y w/ gskt	51124-4770
67	oil level gauge shell	51124-4774
68	air strainer ass'y	51124-5600
69	air strainer filter	51124-5614
70	crankcase oil cap	51124-4719
71	unloading tube (n/s)	51135-7610
72	connecting ring (n/s)	69921-050202
73	connecting ring nut (n/s)	79922-050102
74	unloading elbow (n/s)	69926-050101
75	unloading tee (n/s)	69927-050101
76	compressor pulley	51135-6601
78	pulley fan	51135-6601-1
79	V-pulley key	83703-001045
80	comp. pulley flat washer	51124-6621
81	comp. pulley bolt	81501-1312045



** (n/s) - Not Shown