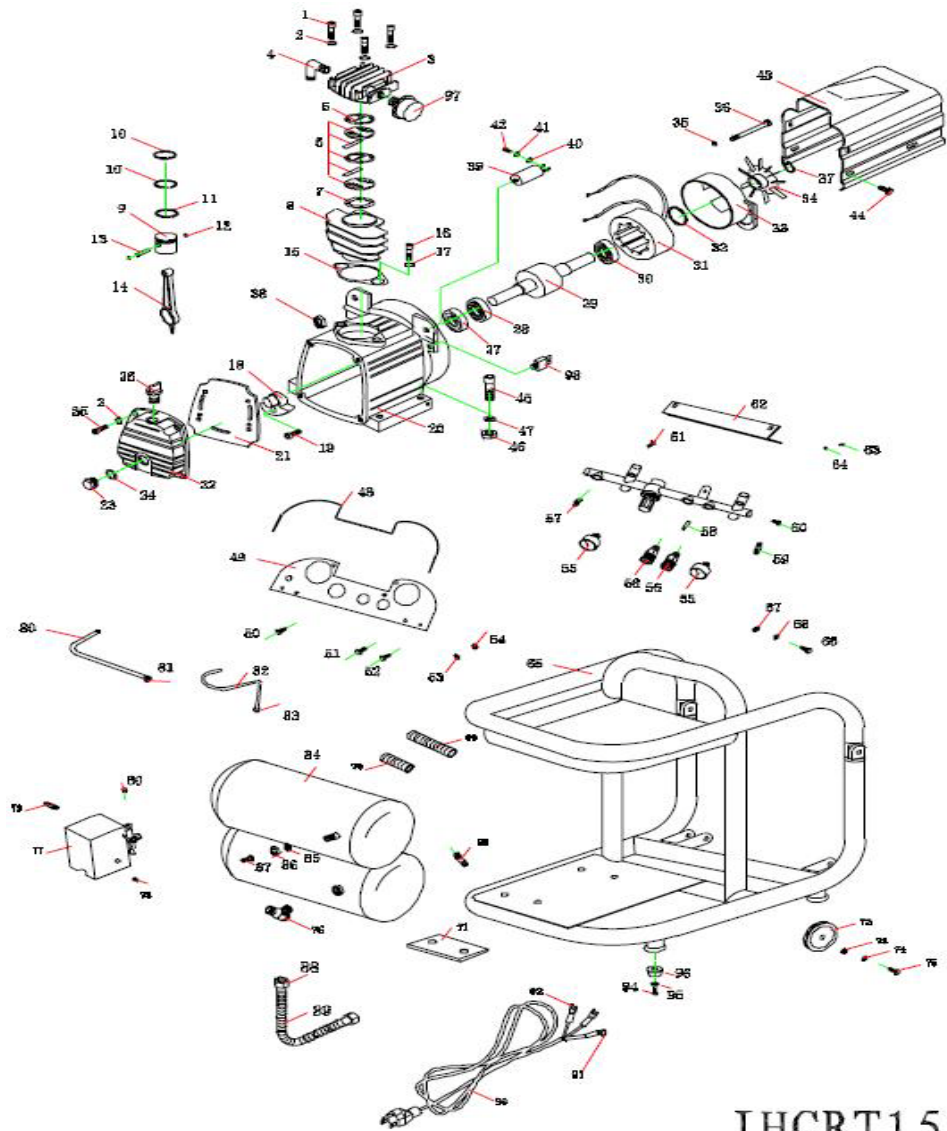


Eagle Compressor breakdown sheet - IHCRT1536

Item	Description	Part	Item	Description	Part
1	Head Bolt M6x55	IH30551	50	Bolt	IH1702
2	Spring washer 6	IH1211	51	Bolt	IH1702
3	Cylinder head	IH1343	52	Bolt	IH1702
4	Exhaust Elbow	IH1086	53	Washer	IH1703
5	Head gasket	IH1051	54	Nut	IH1704
6	Valve assembly		55	Pressure gauge	IH1176
7	Valve plate/Cyl gasket	IH1053	56	Quick connect	IH0001
8	Cylinder	IH3010	57	Safety vavle	IH1091
9	Piston	IH3011	58	Connector	IH1706
10	Piston air ring set	IH3018*	59	Connector	IH1707
11	Piston oil ring	IH3018*	60	Bolt	IH1360
12	Piston pin clip	IH1420	61	Bolt	IH1360
13	Piston pin	IH1534	62	Bracket	IH1708
14	Connecting rod	IH3035	63	Bolt	IH1709
15	Cyl/Crankcase gasket	IH1225	64	Washer	IH1703
16	Bolt M8*25	IH2035	65	Frame	IH1710A
17	Spring Washer 8	IH1212	66	Bolt	IH1711
18	Crankshaft	IH1068A	67	Nut	IH1500
19	Bolt M8*22-LH	IH1802	68	Washer	IH1059
20	Crankcase	IH2020	69	Handle	IH1712
21	Crankcase cover gskt	IH2019A	70	Handle	IH1713
22	Crankcase cover	IH2021H	71	Padding	IH1714
23	Oil sight glass	IH1519	72	Wheel	IH3028
24	Sight glass gasket	IH1591	73	Nut	IH1406
25	Bolt	IH0621	74	Washer	IH1703
26	Breather	IH1071	75	Bolt	IH1407
27	Oil seal	IH0530	76	Check valve	IH2026A
28	Bearing	IH0140	77	Pressure switch	21UCBDB-CH
29	Rotator	IH1919	78	Strain relief	IH2206
30	Rear bearing	IH0150	79	Connector	IH1716
31	Stator	IH1918A	80	Tube assm/manifold	IH1300
32	Spring washer wave	IH2209	81	Unloading tube w/fittings	IH1316
33	Rear cap	IH1046	82	Tank	IH1719
34	Fan	IH1044	83	Gasket	IH1045*
35	Spring washer	IH2210	84	Nut	IH1045*
36	Bolt	IH1048	85	Connector	IH1045*
37	Circlips	IH1101	86	Exhaust pipe w/fittings	IH1168
38	Nut	IH1500	87	Power cord	IH1841
39	Capacitor	IH2250	88	Terminal (O)	
40	Nut	IH1039	89	Terminal (Y)	
41	Spring washer	IH1040	90	Drain valve	IH1850
42	Bolt	IH1041	91	Bolt	IH2203
43	Shroud	IH2024L	92	Washer	IH2202
44	Bolt	IH1727	93	Cushion foot	IH2200
45	Bolt	IH1502	94	Air filter assembly	IH1072
46	Nut	IH1500	95	Overload protector	IH2000
47	Washer	IH1059	6a	Valve Plate	IH1064
48	Shield	IH1700	6b	Reed Valve	IH1052
49	Steeless board	IH1701	6c	Middle Vlv gasket	IH1049



IHCRT1536

Call 1-800-551-2406 for the Customer Service Department.

