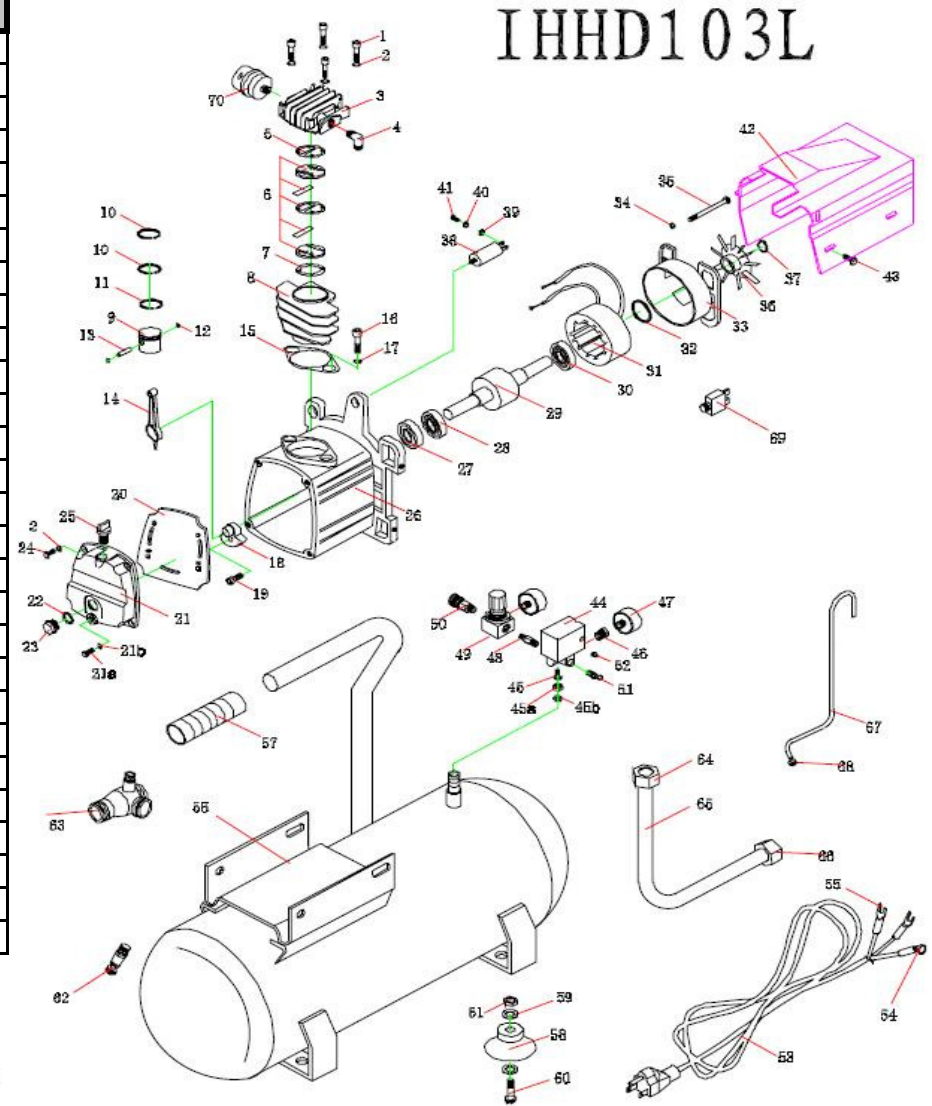


Item	Description	Part	QTY
1	Head Bolt M6x55	1001	4
2	Spring washer 6	1002	4
3	Cylinder head	1002	1
4	Exhaust elbow	1004A	1
5	Gasket	1005	1
6	Valve assembly	1006	1
7	Gasket	1007	1
8	Cylinder	1008B	1
9	Piston	1009B	1
10	Piston air ring	1010M	2
11	Piston oil ring	1010N	1
12	Piston pin clip	1011B	2
13	Piston pin	1012B	1
14	Connecting rod	1013B	1
15	Gasket	1014	1
16	Bolt M8*25	1015	2
17	Spring washer 8	1016	2
18	Crankshaft	1017A	1
19	Bolt M8*22-LH	1018	1
20	Crank case gasket	1019	1
21	Crank case cover	1020	1
21a	Bolt M6*10	1021	1
22	Seal	1022	1
23	Oil sight glass	1023	1
24	Bolt M6*18	1024	4
25	Breather	1025	1
26	Crank case	1026	1
27	Oil seal	1027	1
28	Bearing	1028	1
29	Rotator	1900	1
30	Bearing	1030	1
31	Stator	1900A	1
32	Spring washer wave	1032	1
33	Rear cap	1033	1
34	Spring washer 5	1034	4
35	Bolt M5	1035	4
36	Fan	1036	1
37	Circlips	1037	1
38	Capacitor	1038	1
39	Washer 3	1039	1
40	Spring washer 3	1040	1
41	Bolt M3*6	1041	1
42	Shroud	1042A	1

Item	Description	Part	QTY
43	Bolt M5*15	1043	6
44	Pressure switch	1044A	1
45	Connector	1045	1
46	Connector	1850	1
47	Pressure gauge	1047T	2
48	Connector	1048	1
49	Regulator	1049	1
50	Quick connect	1050T	1
51	Safety valve	1051A	1
52	Strain relief	1052	2
53	Power cord	1053	1
54	Terminal (O)	1054	1
55	Terminal (Y)	1055	2
56	Tank	1222	1
57	Handle	1650	1
58	Custion foot	1642	4
59	Washer	1643	4
60	Bolt	1641	4
61	Nut	1644	4
62	Drain valve	1061	1
63	Check valve	1062B	1
64	Nut	1063	1
65	Exhaust pipe	1172	1
66	Nut	1063	1
67	Tube	1312	1
68	Nut	1066	1
69	Overload protector	1067	1
70	Air filter	1068	1



# IRON HORSE

**EAGLE**  
PUMP & COMPRESSOR LTD.

1-800-551-2406

www.eaglecompressor.com