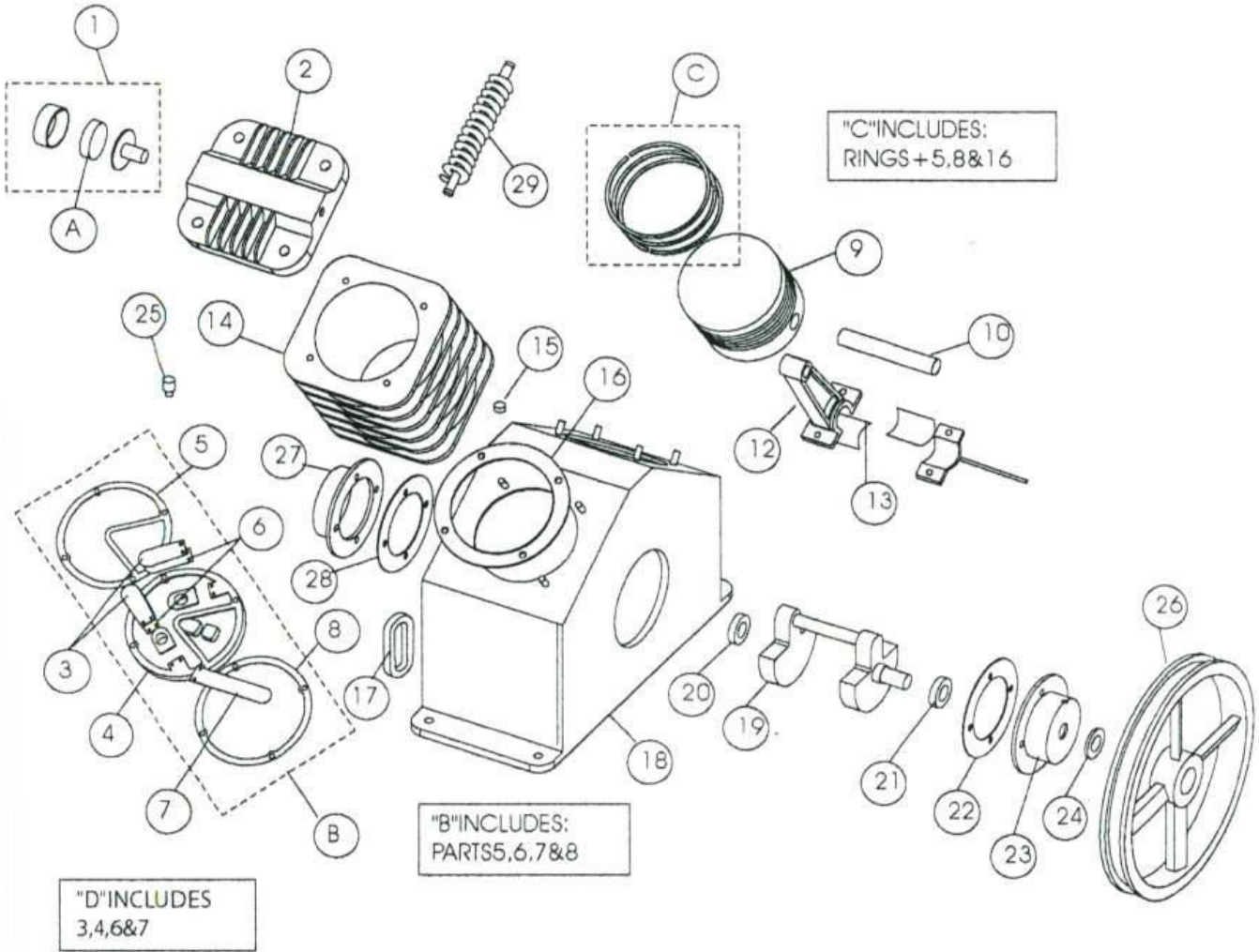


Eagle Air Compressor part breakdown sheet - PV05A

Item	Description	Qty Req.	Part #
1	intake filter ass'y	2	51124-5600
2	cylinder head	2	52133-0101
3	lift limiter - discharge valve plate	8	51121-3102
4	valve seat	2	52133-2101
5	valve seat to head gasket	2	52133-2105
6	discharge valve plate	8	51121-2103
7	intake valve plate	2	52133-2103
8	valve seat to cylinder gasket	2	52133-2104
9	piston	2	52133-5101
10	piston pin c/w snap rings	2	52133-5112
11	piston pin bushing	N/A	N/A
12	connecting rod c/w dipper	2	52133-5120
13	connecting rod bearing (each)	4	51133-5109
14	cylinder	2	52133-4101
15	oil filler cap	1	51133-4719
16	cylinder to crankcase gasket	2	52133-4103
17	oil sight glass c/w gasket	1	51111-4770
18	crankcase	1	52133-4701
19	crankshaft	1	52133-4601
20	front bearing	1	83501-6306
21	rear bearing	1	83501-6306
22	crankcase to rear bearing housing gasket	1	51133-4704
23	rear bearing housing	1	51133-4703
24	oil seal	1	51133-4708
25	crankcase breather	1	51111-4761
26	flywheel c/w fasteners	1	51133-6601
27	front bearing housing	1	51133-4706
28	crankcase to front bearing housing gasket	1	51133-4707
29	connecting (interstage) tubing	1	52133-7710
Misc	1/4" street elbow (oil drain)	1	STREL1/4
	interstage "Y" fitting	2	51124-7702
	interstage "elbow" fitting	1	51124-7701
	Eagle oil (1250ml or 42oz)	1	EAOL10



A	intake filter element kit includes: - one (1) intake filter element	2	101000-310
B	valve repair kit includes: -valve seat to head gasket (item 5) -two(2) outlet valve plates (item 6) -intake valve plate (item 7) -six(6) valve plate screws -valve seat to cylinder gasket (item 8)	2	101000-195
C	ring repair kit includes: -valve seat to head gasket (item 5) -valve seat to cylinder gasket (item 8) -two(2) compression rings -one(1) oil control ring -cylinder to crankcase gasket (item 16)	2	101000-295
D	Valve Plate Assembly (Not shown)	2	52133-2100

Description	Part No.	Qty
Unloader	52122-0120	2
Unloading Elbow	69926-050101	1
Unloading Tee	69927-050101	1
Unloading Tube	TU-1/4-CU	3ft
Cylinder Head	52133-0101U	2

2U

For PV05AU only

