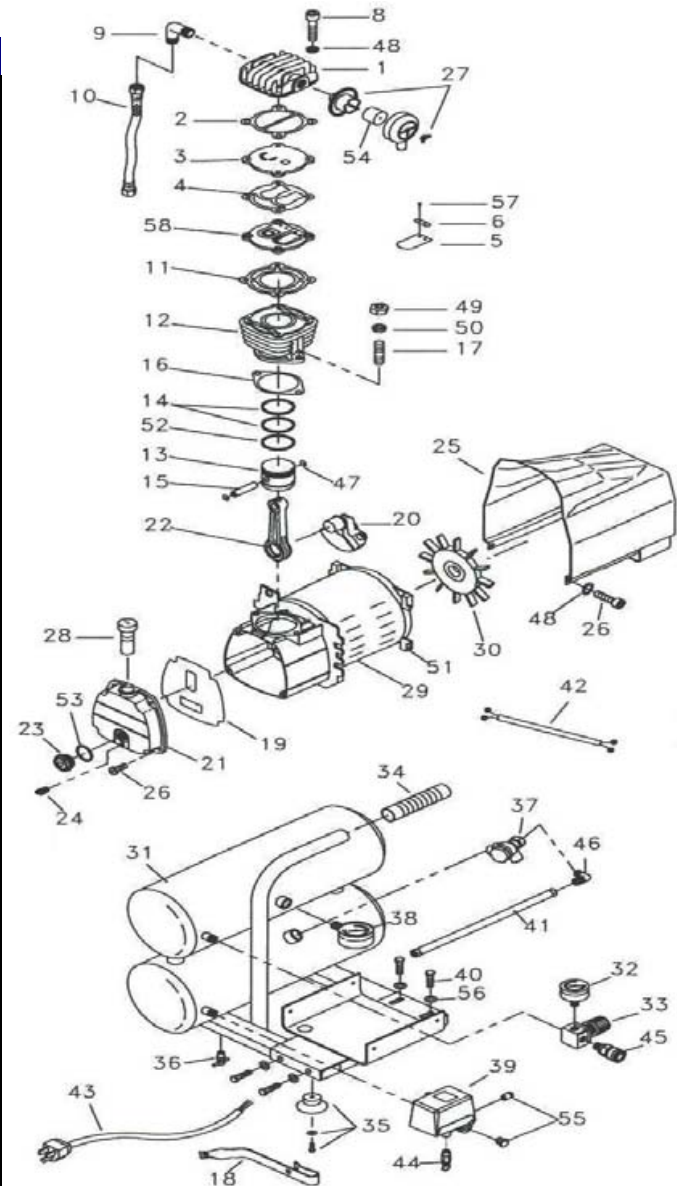


Eagle Air Compressor part breakdown sheet - TS2018L

Item	Description	Part	Item	Description	Part
1	Cylinder head	101001	31	Air tank	401041
2	Cylinder head gasket	211001	32	Pressure gauge-Regulator	411005
3	Inlet valve seat	104001	33	Pressure regulator	410001
4	In & Outlet valve seat gasket	212001	34	Rubber handle	435002
5	In & Outlet valve plate	125001	35	Tank foot ass'y	434002S
6	In & Outlet spring plate	127001	36	Drain cock	406003
8	Bolt/washer-cylinder head	352087	37	Check valve	409008
9	Discharge elbow	151403	38	Pressure gauge-Tank	411019
10	Discharge tube assembly	242044	39	Pressure switch	412023
11	Valve seat to cylinder gasket	213001	40	Bolt	351071
12	Cylinder	201016	41	Unloading tube ass'y	240056S
13	Piston	203011	42	Wiring harness Pr. Switch-Mot.	453075
14	Compression/Oil ring set	206003S	43	Power cord w/ plug	452005
15	Piston pin w/snap rings	204003S	44	Safety valve	407001
16	Cylinder to crankcase gasket	214001	45	Quick coupler	447013
17	Double head screw	358001S	46	Unloading tube elbow	151001
18	Balance bracket	480409	47	Snap ring	205001
19	Crankcase cover gasket	215001	48	Spring washer	382011
20	Crankshaft	302001	49	Set nut	371005
21	Crankcase cover	304002	50	Spring washer	382005
22	Connecting rod	316001	51	Motor rear cover	305001
23	Oil gauge w/ gasket	321001S	52	Oil control ring	207003
24	Oil drain plug	360001	53	Oil gauge gasket	217001
25	Motor cover	433001	54	Air filter (element only)	171002
26	Motor cover bolt	352001	55	Plug	360002
27	Air filter ass'y	170006	56	Washer	381041
28	Oil fill plug	323103	57	Valve plate screw	126001
29	Motor / Crankcase	251332	58	Outlet valve seat	114001
30	Cooling fan	431001		Outlet valve seat Ass'y	124001
				Eagle Compressor Oil	EAOIL10



TS2018L

Call 1-800-551-2406 for the Customer Service Department.

