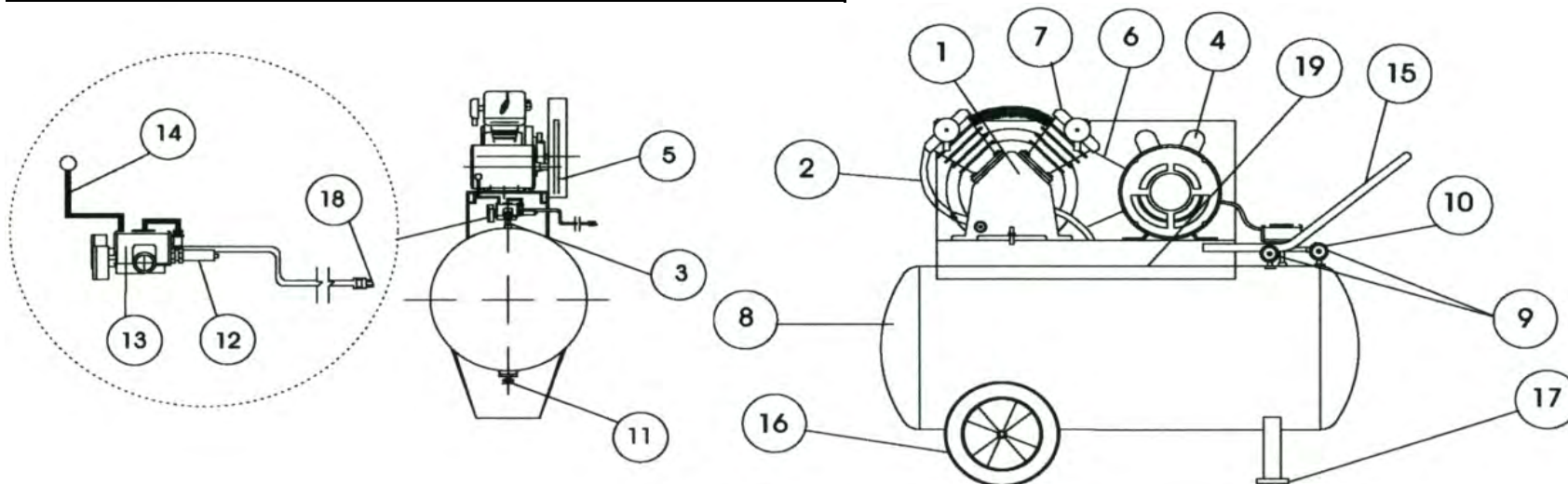


### Eagle Air Compressor part breakdown sheet - P3120H1

Item	Description	P3120H1
1	Compressor w/ Flywheel	PV01A
2	Discharge Tube w/ Fittings	TU-20-AL
3	Check Valve	CTF1/2X1/2
4	Electric Motor	EM03.0-36-10SP-CH
5	Pulley - Motor	MA33X5/8
6	V-Belt	4L450
7	Belt Guard	BG20GAL
8	Air Receiver	20HEPORT-B
9	Pressure Gauge (Regulator)	PT0160
	Pressure Gauge (Tank)	PG200-2.0BO1/4
10	Regulator	R46-200-RNLA
11	Drain Cock	DC1/4
12	Safety Valve	PSV1/4-150
13	Pressure Switch	21UCBDB-CH
14	Wiring Harness	12/3-13-PT
15	Handle	PT-HANDLE-24HL
16	Wheel	PT-WHEEL (2)
	Shoulder Bolt	E5004 (2)
17	Vibration Damper	TT-FOOT
18	Power Cord w/ Plug	12/3-72-PT
19	Unloader Tubing w/ Fittings	TU1/4BLK
	Eagle Compressor Oil	EAOIL10



Call 1-800-551-2406 for the Customer Service Department.



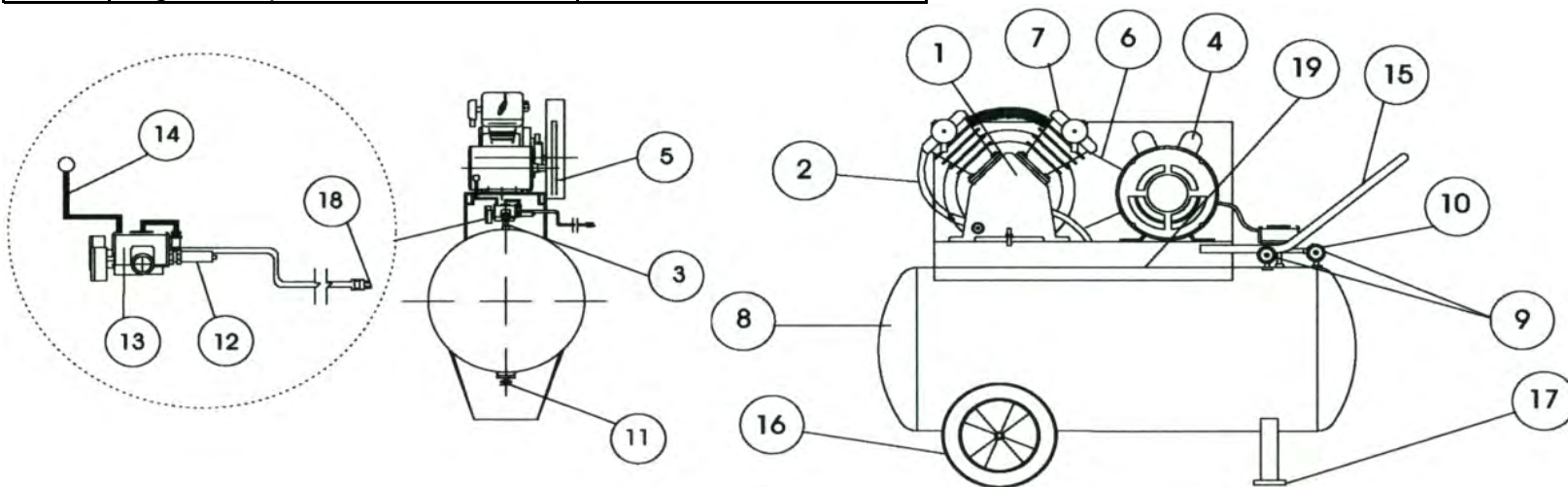
**P3120H1**

### Eagle Air Compressor part breakdown sheet - P3120H1-CC

Item	Description	P3120H1-CC
1	Compressor w/ Flywheel	CC2051
2	Discharge Tube w/ Fittings	TU-20-AL
3	Check Valve	CTF1/2X1/2
4	Electric Motor	EM03.0-36-10SP-CH
5	Pulley - Motor	MA33X5/8
6	V-Belt	4L450
7	Belt Guard	BG20GAL
8	Air Receiver	20HEPORT-B
9	Pressure Gauge (Regulator)	PT0160
	Pressure Gauge (Tank)	PG200-2.0BO1/4
10	Regulator	R46-200-RNLA
11	Drain Cock	DC1/4
12	Safety Valve	PSV1/4-150
13	Pressure Switch	21UCBDB-CH
14	Wiring Harness	12/3-13-PT
15	Handle	PT-HANDLE-24HL
16	Wheel	PT-WHEEL (2)
	Shoulder Bolt	E5004 (2)
17	Vibration Damper	TT-FOOT
18	Power Cord w/ Plug	12/3-72-PT
19	Unloader Tubing w/ Fittings	TU1/4BLK
	Eagle Compressor Oil	EAOIL10



Call 1-800-551-2406 for the Customer Service Department.



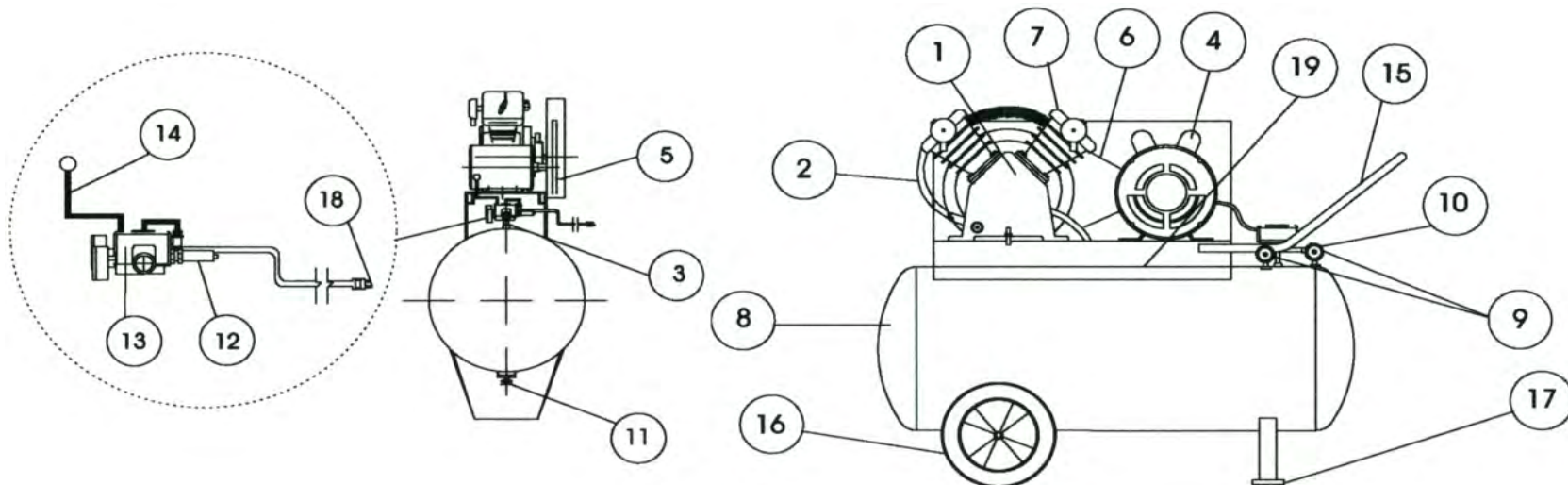
**P3120H1-CC**

### Eagle Air Compressor part breakdown sheet - P3124V1

Item	Description	P3124V1
1	Compressor w/ Flywheel	PV01A
2	Discharge Tube w/ Fittings	TU-20-AL
3	Check Valve	CTF1/2X1/2
4	Electric Motor	EM03.0-36-10SP-CH
5	Pulley - Motor	MA33X5/8
6	V-Belt	4L450
7	Belt Guard	BG20GAL
8	Air Receiver	24VPORT-B
9	Pressure Gauge (Regulator)	PT0160
	Pressure Gauge (Tank)	PG200-2.5R
10	Regulator	R46-200-RNLA
11	Drain Cock	DC1/4
12	Safety Valve	PSV1/4-150
13	Pressure Switch	21UCBDB-CH
14	Wiring Harness	12/3-24-C4
15	Handle	PT-HANDLE-24HS
16	Wheel	TT-WHEEL (2)
	Shoulder Bolt	N/A
17	Vibration Damper	TT-FOOT
18	Power Cord w/ Plug	12/3-72-PT
19	Unloader Tubing w/ Fittings	TU1/4BLK
	Eagle Compressor Oil	EAOIL10



Call 1-800-551-2406 for the Customer Service Department.



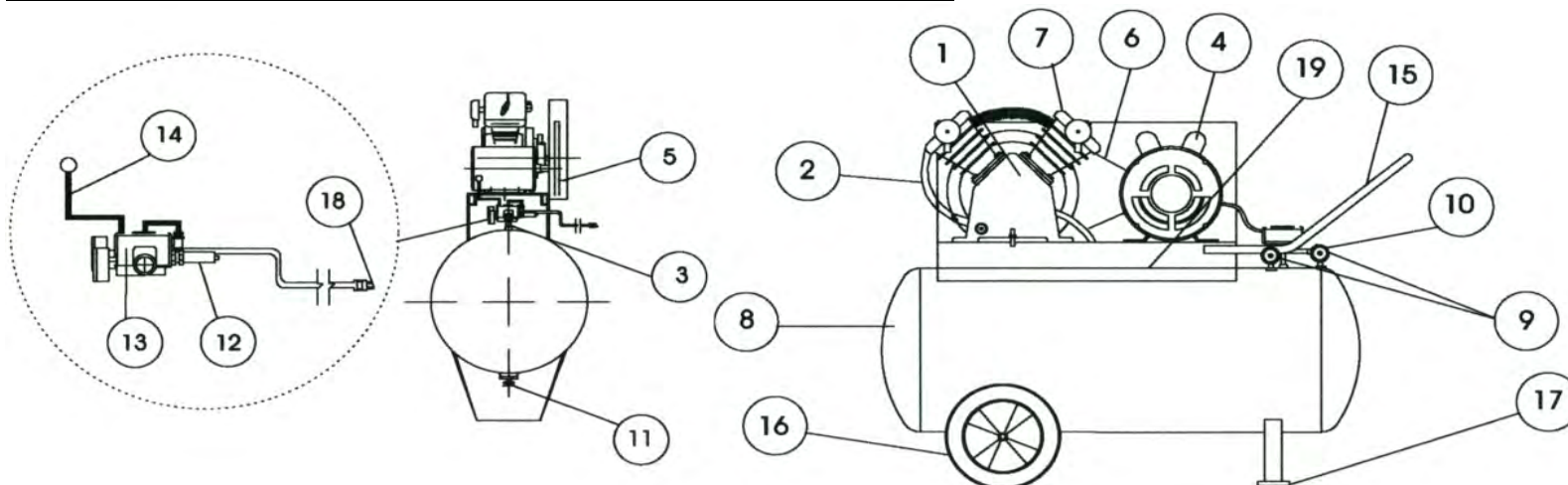
P3124V1

### Eagle Air Compressor part breakdown sheet - P3124V1-CC

Item	Description	P3124V1-CC
1	Compressor w/ Flywheel	CC2051
2	Discharge Tube w/ Fittings	TU-20-AL
3	Check Valve	CTF1/2X1/2
4	Electric Motor	EM03.0-36-10SP-CH
5	Pulley - Motor	MA33X5/8
6	V-Belt	4L450
7	Belt Guard	BG20GAL
8	Air Receiver	24VPORT-B
9	Pressure Gauge (Regulator)	PT0160
	Pressure Gauge (Tank)	PG200-2.5R
10	Regulator	R46-200-RNLA
11	Drain Cock	DC1/4
12	Safety Valve	PSV1/4-150
13	Pressure Switch	21UCBDB-CH
14	Wiring Harness	12/3-24-C4
15	Handle	PT-HANDLE-24HS
16	Wheel	TT-WHEEL (2)
	Shoulder Bolt	N/A
17	Vibration Damper	TT-FOOT
18	Power Cord w/ Plug	12/3-72-PT
19	Unloader Tubing w/ Fittings	TU1/4BLK
	Eagle Compressor Oil	EAOIL10



Call 1-800-551-2406 for the Customer Service Department.



**P3124V1-CC**