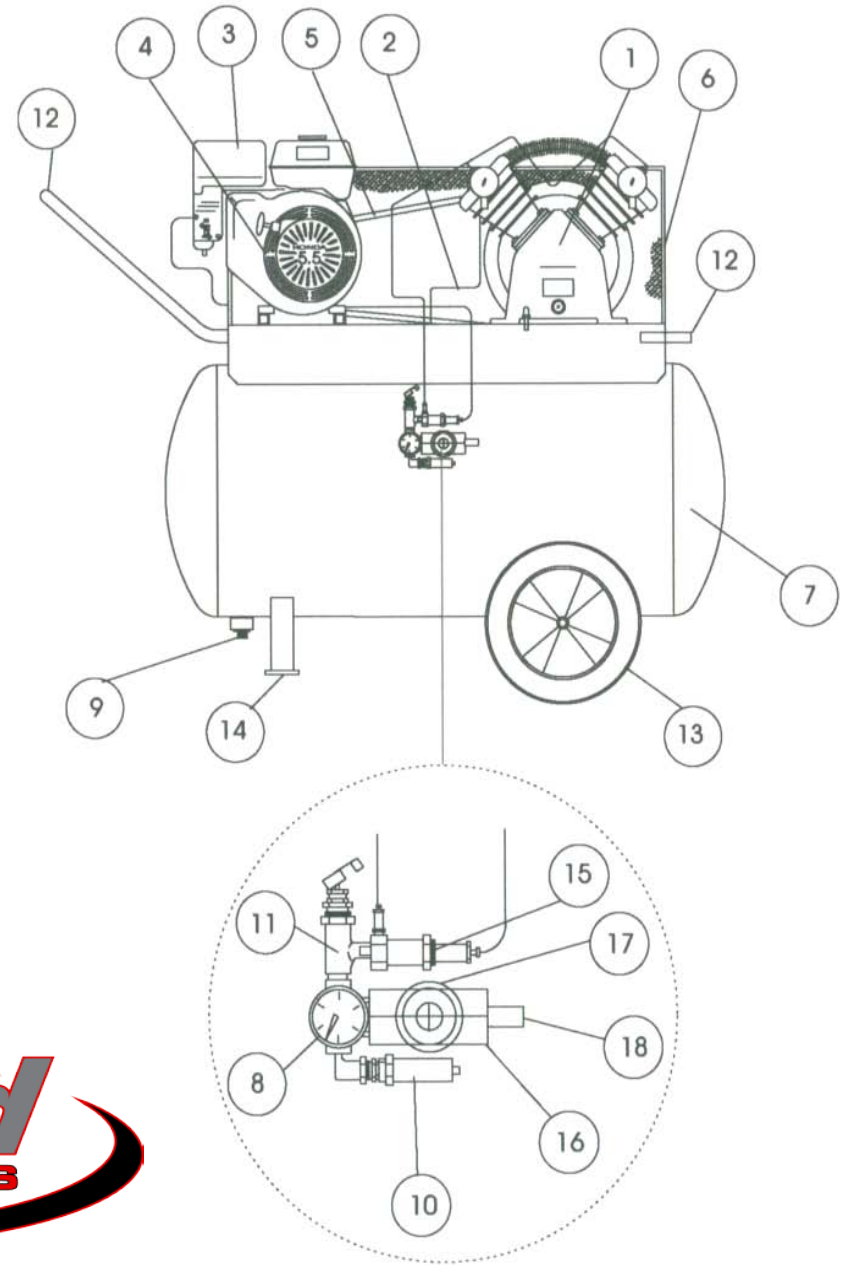


Iron Horse Air Compressor part breakdown - IHP60G25H1

Item	Description	IHP60G25H1
1	Compressor w/ Flywheel	CC2065
2	Dishcharge Tube w/ fittings	TU-1/2-CU
3	Engine - Robin	EX170-0230T
4	Pulley - Engine	MA38X3/4
5	V-Belt	4L540
6	Belt Guard	TT-GUARD
7	Air Receiver	25HEPORT
8	Pressure Gauge	PG200-2.5SI1/4
9	Drain Cock	DC1/4
10	Safety Valve	PSV1/4-150
11	Pilot Unloader & Check Valve	LMV100F
12	Handle (Long)	PT-HANDLE-24HL
	Handle (Short)	PT-HANDLE-24HS
13	Wheel	TT-WHEEL (2)
	Shoulder Bolt	E5003 (2)
14	Vibration Damper	TT-FOOT
15	Engine Control c/w Cable	TCP-48
16	Ball Valve	BV1/2MF
	Eagle Compressor Oil	EAOIL10



IRON HORSE

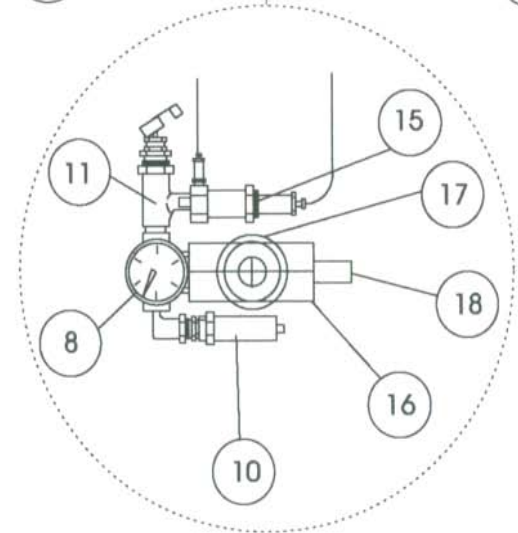
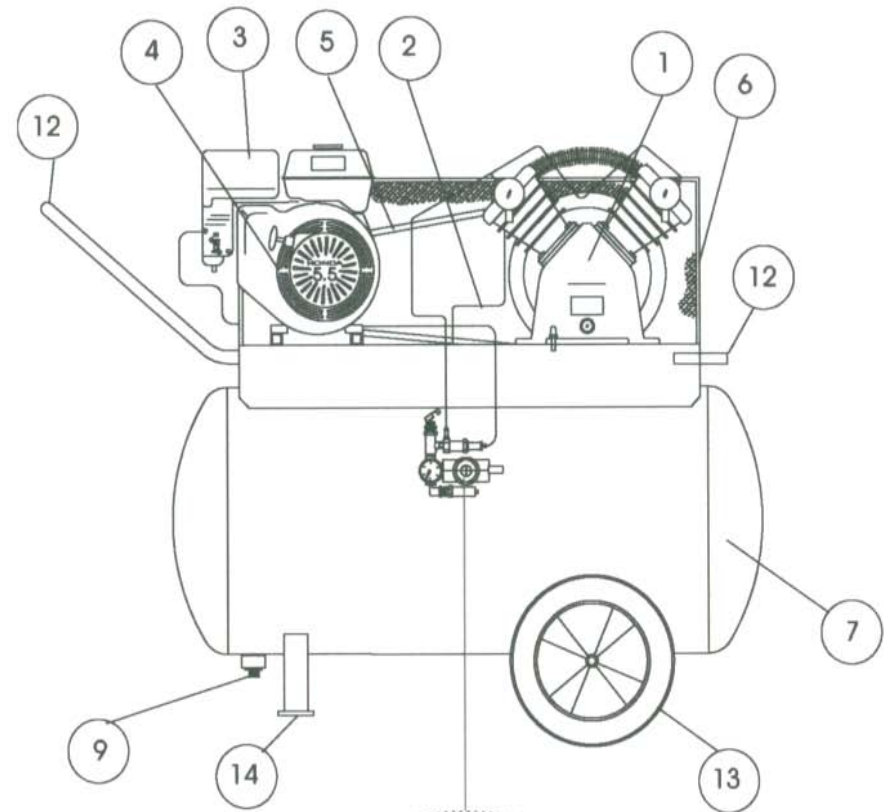
Wood
INDUSTRIES
INCORPORATED

IHP60G25H1

Call 1-800-551-2406 for the Customer Service Department.

Iron Horse Air Compressor part breakdown - IHP90G25H1

Item	Description	IHP90G25H1
1	Compressor w/ Flywheel	CC3065
2	Dishcharge Tube w/ fittings	TU-1/2-CU
3	Engine - Robin	EX270-0442T
4	Pulley - Engine	MA38X1
5	V-Belt	4L540
6	Belt Guard	TT-GUARD
7	Air Receiver	25HEPORT
8	Pressure Gauge	PG200-2.5S11/4
9	Drain Cock	DC1/4
10	Safety Valve	PSV1/4-150
11	Pilot Unloader & Check Valve	LMV100F
12	Handle (Long)	PT-HANDLE-24HL
	Handle (Short)	PT-HANDLE-24HS
13	Wheel	TT-WHEEL (2)
	Shoulder Bolt	E5003 (2)
14	Vibration Damper	TT-FOOT
15	Engine Control c/w Cable	TCP-48
16	Ball Valve	BV1/2MF
	Eagle Compressor Oil	EAOIL10



IHP90G25H1

