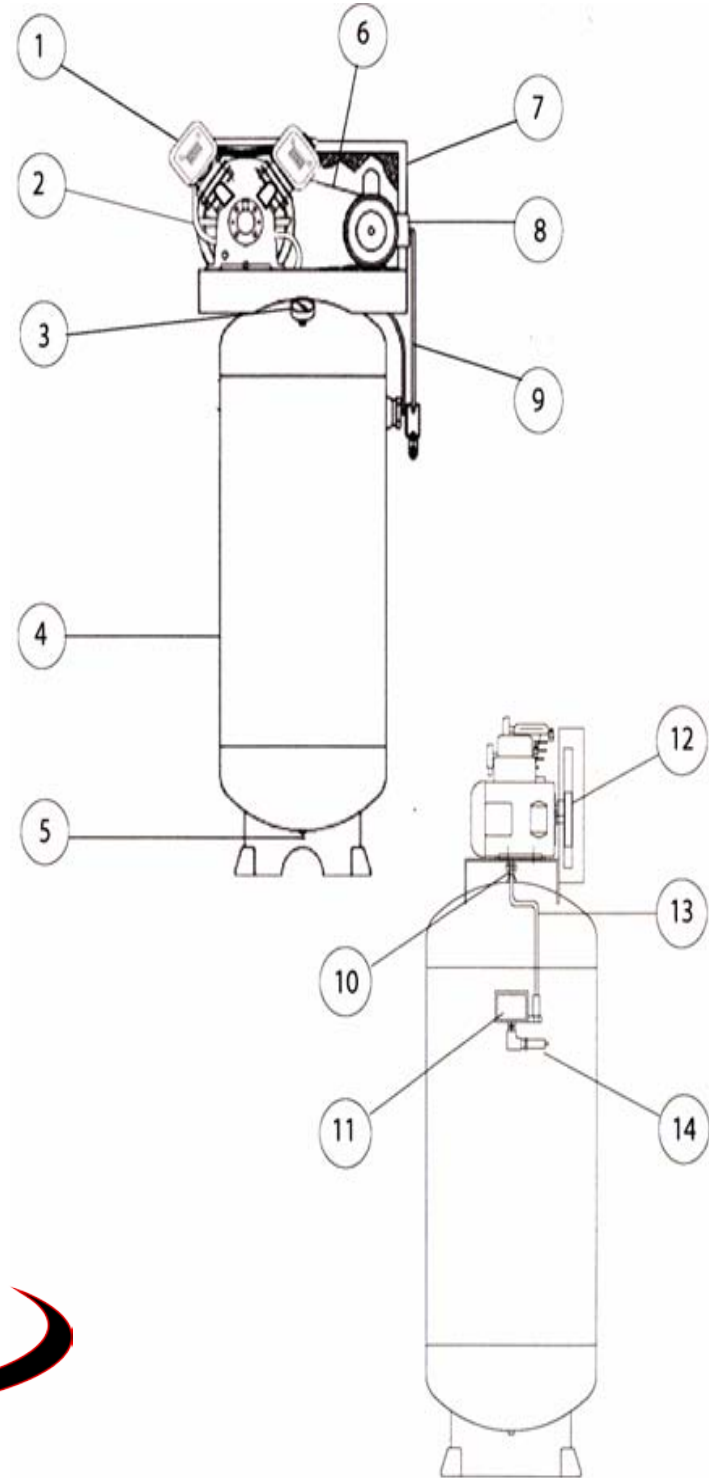


Iron Horse Air Compressor part breakdown - IHD6160V1		
Item	Description	IHD6160V1
1	Compressor w/ Flywheel	CC2065
2	Discharge Tube w/ Fittings	TU-23-AL
3	Pressure Gauge	PG200-2.5R
4	Air Receiver	60V20X48SPL
5	Drain Cock	DC1/4
6	V-Belt	4L530
7	Belt Guard	BGC
8	Motor - 1 Phase, 208/230V	EM05.0-36-1OSPL
9	Wiring Harness	12/3-24-C4
10	Check Valve	CTF1/2X1/2
11	Pressure Switch	21UCBDB-CH
12	Motor Pulley	MA38X5/8
13	Unloader Tube w/ Fittings	TU1/4BLK
14	Safety Valve	PSV1/4-150
15	Ball Valve	BV1/2MF
	Eagle Compressor Oil	EAOIL10



IHD6160V1



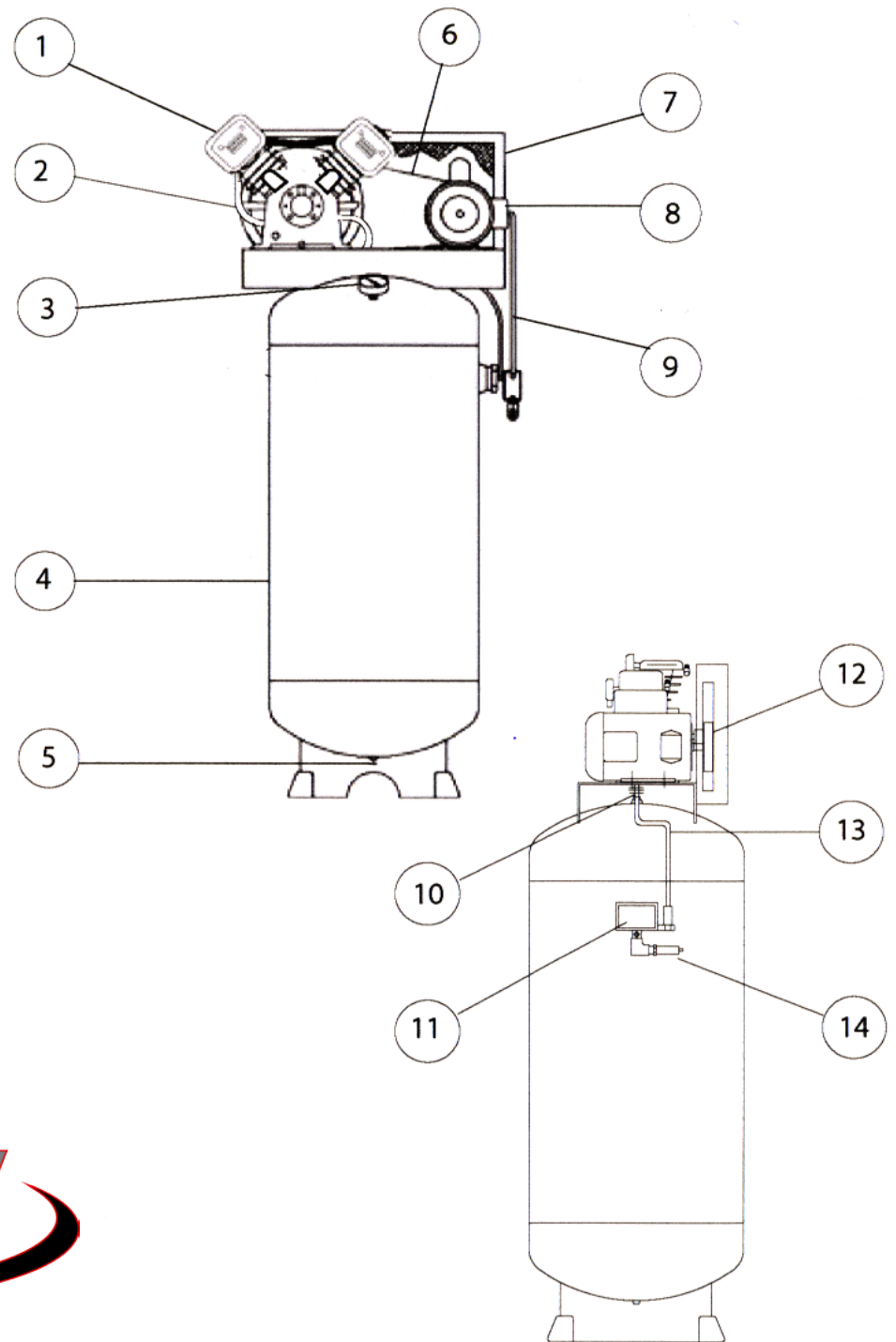
Call 1-800-511-2406 for the Customer Service Department.

## Iron Horse Air Compressor part breakdown - IHD7180V1

Item	Description	IHD7180V1
1	Compressor w/ Flywheel	CC3065
2	Discharge Tube w/ Fittings	TU-23-AL
3	Pressure Gauge	PG200-2.5R
4	Air Receiver	80VSPL-MG
5	Drain Cock	DC1/4
6	V-Belt	4L530
7	Belt Guard	BGC
8	Motor - 1 Phase, 208/230V	EM05.0-36-10
9	Wiring Harness	12/3-24-C4
10	Check Valve	CTF1/2X1/2
11	Pressure Switch	3BEHD
12	Motor Pulley	MA38X7/8
13	Unloader Tube w/ Fittings	TU1/4BLK
14	Safety Valve	PSV1/4-150
15	Ball Valve	BV1/2MF

# IRON HORSE

IHD7180V1



Call 1-800-551-2406 for the Customer Service Department.