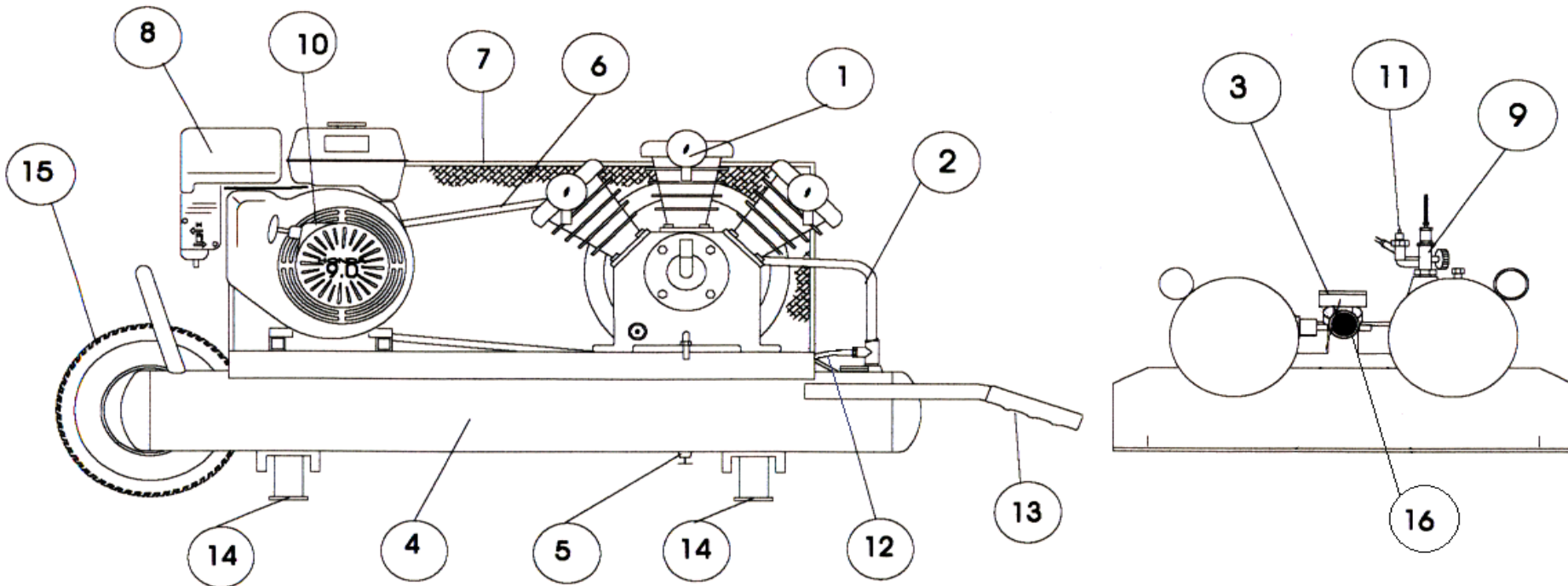


## Iron Horse Air Compressor part breakdown - IHTT60G

Item	Description	IHTT60G
1	Compressor w/ Flywheel	CC2065
2	Discharge Tube w/ Fittings	TU-25-AL
3	Pressure Gauge	PG200-2.5SI1/4
4	Air Receiver	10TT41X5-IH
5	Drain Cock	DC1/4
6	V-Belt	A49
7	Belt Guard	TT-GUARD
8	Engine - Robin	EX170-0230T
9	Pilot Unloader w/ Check Valve	LMV100F
10	Pulley - Engine	MA38X3/4
11	Safety Valve	PSV1/4-150
12	Engine Control w/ Cable	TCP-48
13	Handle Grip	TT-GRIP
14	Vibration Damper	TT-FOOT
15	Pneumatic Wheel	TT-WHEEL
	Axle	WA1001
16	Ball Valve	BV1/4MF

# IRON HORSE

**Wood**  
INDUSTRIES  
INCORPORATED



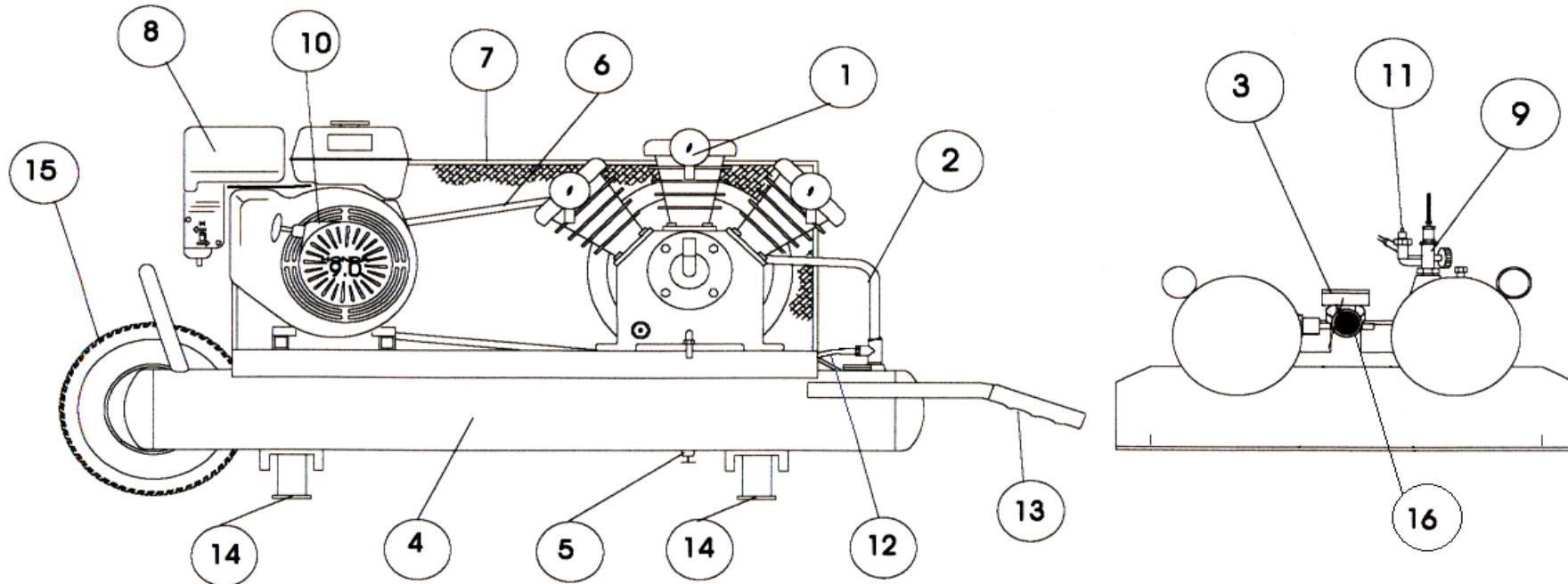
IHTT60G

Call 1-800-551-2406 for the Customer Service Department.

## Iron Horse Air Compressor part breakdown - IHTT90G

Item	Description	IHTT90G
1	Compressor w/ Flywheel	CC3065
2	Discharge Tube w/ Fittings	TU-25-AL
3	Pressure Gauge	PG200-2.5SI1/4
4	Air Receiver	10TT41X5-IH
5	Drain Cock	DC1/4
6	V-Belt	A54
7	Belt Guard	TT-GUARD
8	Engine - Robin	EX270-0442T
9	Pilot Unloader w/ Check Valve	LMV100F
10	Pulley - Engine	MA38X1
11	Safety Valve	PSV1/4-150
12	Engine Control w/ Cable	TCP-48
13	Handle Grip	TT-GRIP
14	Vibration Damper	TT-FOOT
15	Pneumatic Wheel	TT-WHEEL
	Axle	WA1001
16	Ball Valve	BV1/4MF

# IRON HORSE



IHTT90G

Call 1-800-551-2406 for the Customer Service Department.