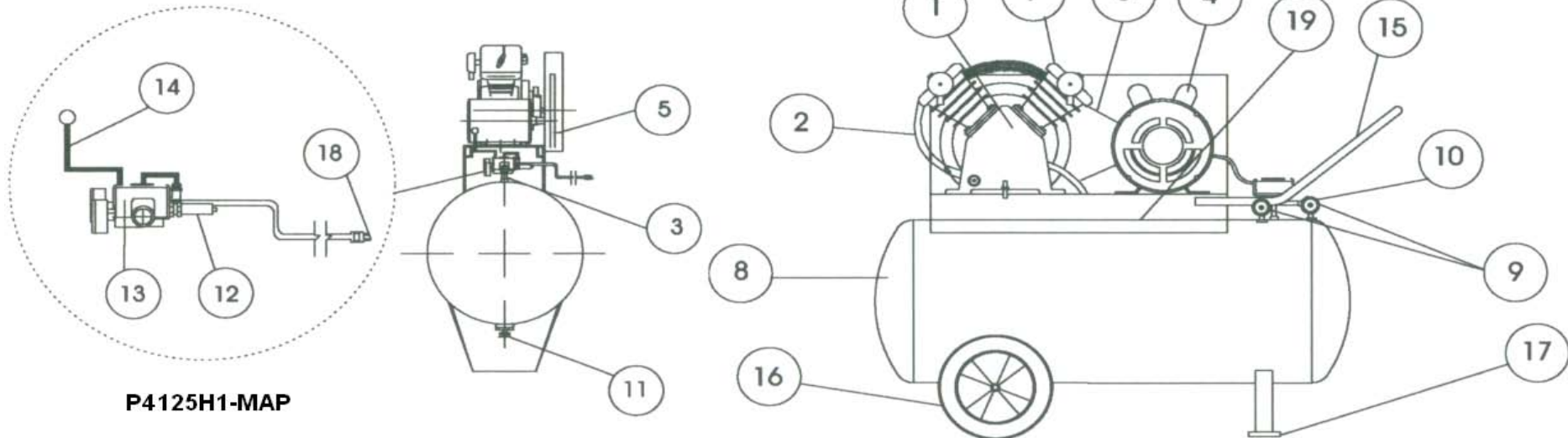


**MAXair Premium Air Compressor part breakdown - P4125H1-MAP**

Item	Description	P4125H1-MAP	Item	Description	P4125H1-MAP
1	Compressor w/ Flywheel	PV02AHP		Axle	N/A
2	Discharge Tube	TU-1/2-CU (2.5ft)	17	Vibration Damper	TT-FOOT (2)
	Fittings for Copper Tube (x2)	Tubelok RPR Kit	18	Power Cord	12/3-72-TTPE
3	Pilot Unloader/Check Valve	NDC29-M	19	Unloader Tubing w/ Fittings	TU1/4BLK
4	Electric Motor	EM05.0-36-10SPL	20	Coupler	CPL-DUO
5	Pulley - Motor	MA38X5/8	21	Handle Grips (2)	N/A
6	V-Belt	4L530		Hose Assembly	TT-HOSE
7	Belt Guard	TT-GUARD		Eagle Compressor Oil	EAOIL10
8	Air Receiver	25HEPORT			
9	Pressure Gauge (Tank)	PGLF200-2.5BM1/4			
	Pressure Gauge (Regulator)	PT0160			
10	Regulator	R202-1/4			
11	Drain Cock	DC1/4			
12	Safety Valve	PSV1/4-170			
13	Pressure Switch	21UCBDB-CH			
14	Wiring Harness	12/3-42-TT15			
15	Handle (Long)	PT-HANDLE-24HL			
	Handle (Short)	PT-HANDLE-24HS			
16	Wheel	TT-WHEEL (2)			
	Shoulder Bolts (2)	E5003 (2)			

# MAXair PREMIUM

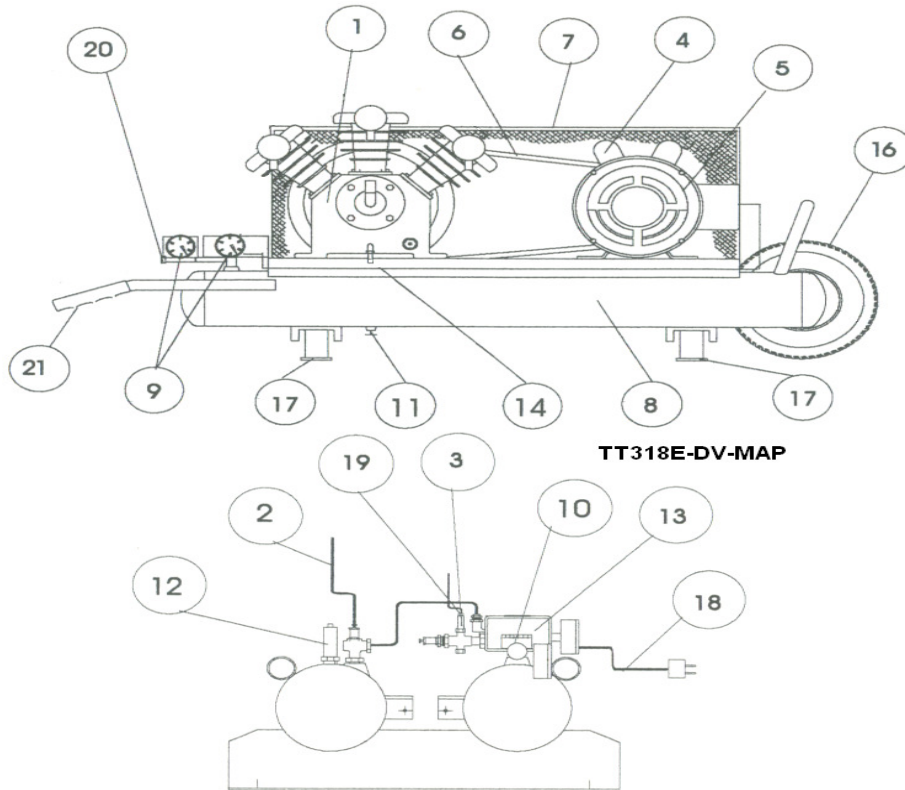


**P4125H1-MAP**

**Call 1-800-551-2406 for the Customer Service Department.**

**MAXair Air Compressor part breakdown - TT318E-DV-MAP**

Item	Description	TT318E-DV-MAP	Item	Description	TT318E-DV-MAP
1	Compressor w/ Flywheel	PV01A	13	Pressure Switch	21UCBDB-CH
2	Discharge Tube	TU-15-AL	14	Wiring Harness	12/3-42-TT50
	Fittings for Copper Tube (x2)	N/A	15	Handle (Long)	N/A
3	Pilot Unloader/Check Valve	NDC29-M		Handle (Short)	N/A
4	Electric Motor	EM03.0-36-10SP-DV	16	Wheel	TT-WHEEL
5	Pulley - Motor	MA33X5/8		Shoulder Bolts (2)	N/A
6	V-Belt	A49		Axle	WA1001
7	Belt Guard	BGC	17	Vibration Damper	TT-FOOT (4)
8	Air Receiver	8TT35X5-Y	18	Power Cord	12/3-72-PT
9	Pressure Gauge (Tank)	PG200-2.0BO1/4	19	Unloader Tubing w/ Fittings	TU1/4BLK
	Pressure Gauge (Regulator)	PT0160	20	Coupler	CPL-DUO
10	Regulator	R202-1/4	21	Handle Grips (2)	TT-GRIP
11	Drain Cock	DC1/4		Hose Assembly	N/A
12	Safety Valve	PSV1/4-150		Eagle Compressor Oil	EAOIL10



# MAXair PREMIUM



Call 1-800-551-2406 for the Customer Service Department.