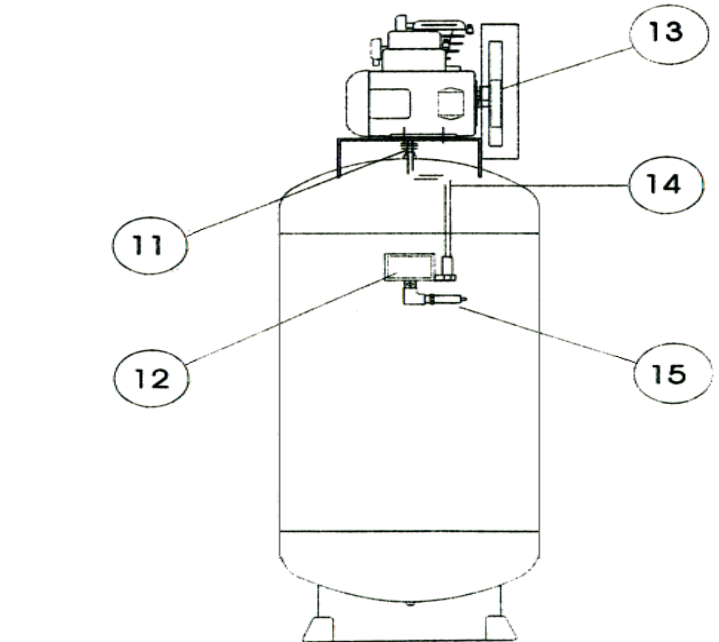
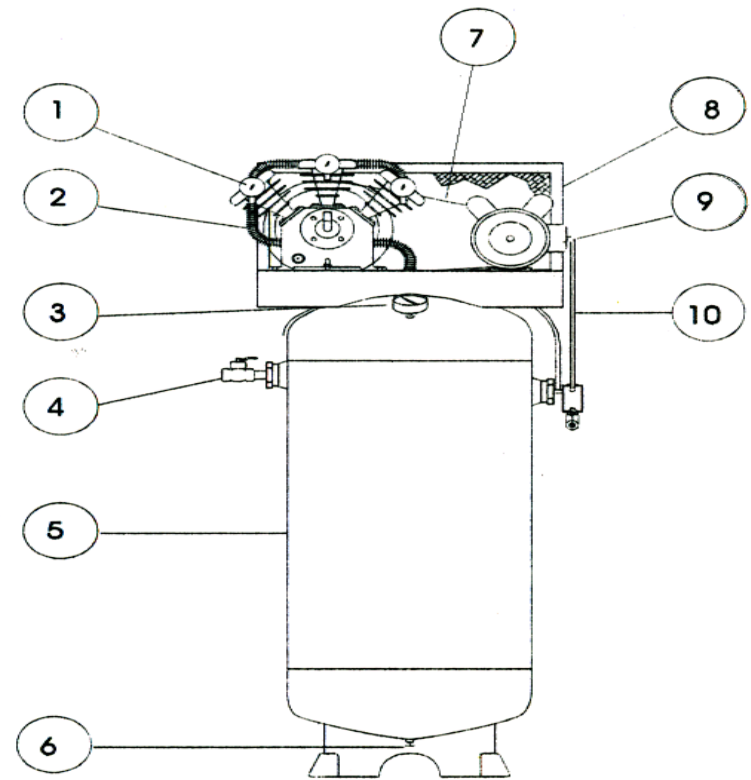


MAXair Premium Air Compressor part breakdown - C4160V1-MAP

Item	Description	C4160V1-MAP
1	Compressor w/ Flywheel	PV02AHP
2	Discharge Tube (2.5ft)	TU-25-AL
	Fitting/Elbow	N/A
3	Pressure Gauge	PGLF200-2.5BM1/4
4	Outlet Valve	BV1/2MF
5	Air Receiver	60V20X48BR-Y
6	Drain Cock	BV1/4MF
7	V-Belt	4L530
8	Belt Guard	BGC
9	Motor - 1 Phase, 208/230V	EM05.0-36-10SPL
10	Wiring Harness	12/3-24-C4
11	Check Valve	CTF1/2X1/2
12	Pressure Switch	21UCBDB-170
13	Pulley - Motor	MA38X5/8
	Hub or Bushing	N/A
14	Unloader Tube w/ Fittings	TU1/4BLK & 68-4A
15	Safety Valve	PSV1/4-170
	Eagle Compressor Oil	EAOIL10

* For C7180V1-MS-MAP add Magnetic Starter part # MS60981104



C4160V1-MAP

MAXair

PREMIUM



Call 1-800-551-2406 for the Customer Service Department.

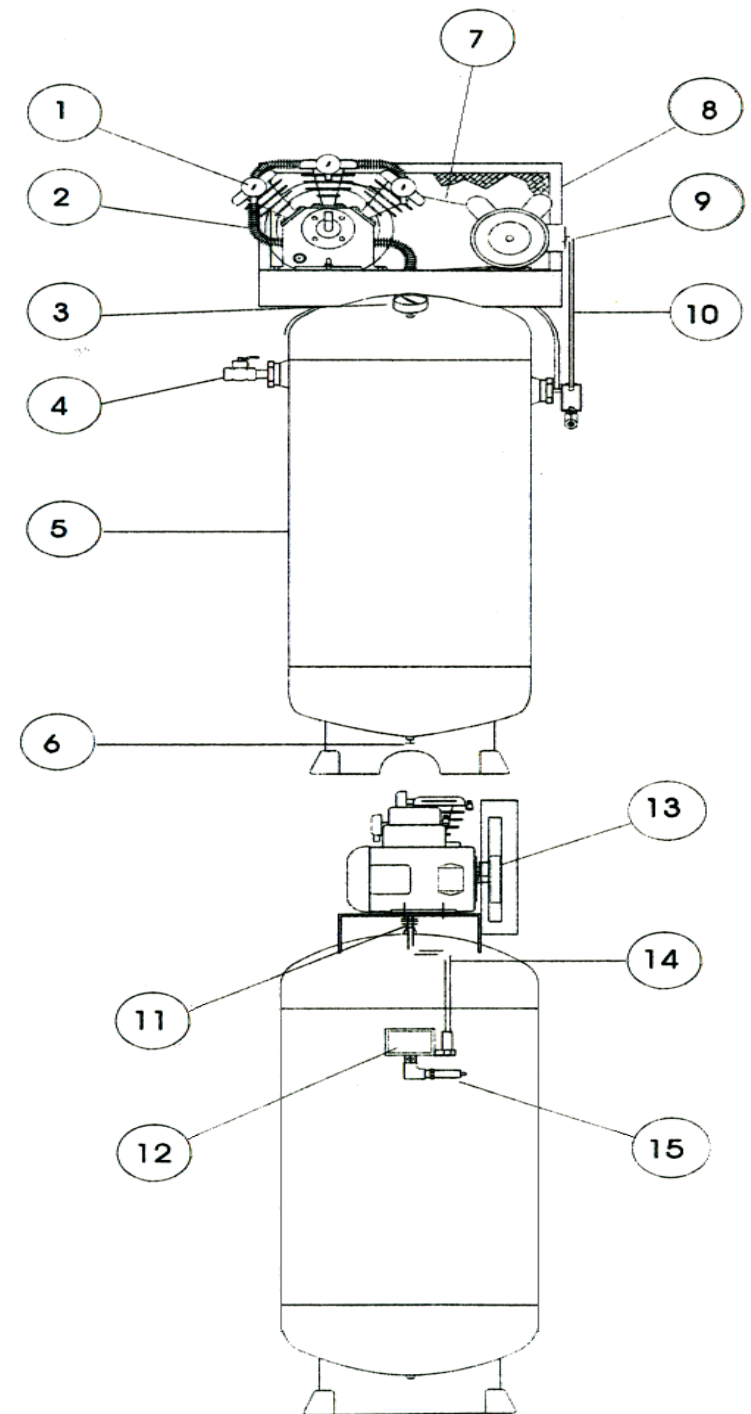
MAXair Premium Air Compressor part breakdown - C5160V1-MAP

Item	Description	C5160V1-MAP
1	Compressor w/ Flywheel	PT03AHP
2	Discharge Tube (2.5ft)	51172-7720
	Fitting/Elbow	N/A
3	Pressure Gauge	PGLF200-2.5BM1/4
4	Outlet Valve	BV1/2MF
5	Air Receiver	60V20X48BR-Y
6	Drain Cock	BV1/4MF
7	V-Belt	4L530
8	Belt Guard	BGC
9	Motor - 1 Phase, 208/230V	EM05.0-36-10
10	Wiring Harness	12/3-24-C4
11	Check Valve	CTF1/2X1/2
12	Pressure Switch	3BEHD-170
13	Pulley - Motor	MA38X7/8
	Hub or Bushing	N/A
14	Unloader Tube w/ Fittings	TU1/4BLK & 68-4A
15	Safety Valve	PSV1/4-170
	Eagle Compressor Oil	EAOIL10

* For C7180V1-MS-MAP add Magnetic Starter part # MS60981104

MAXair

PREMIUM



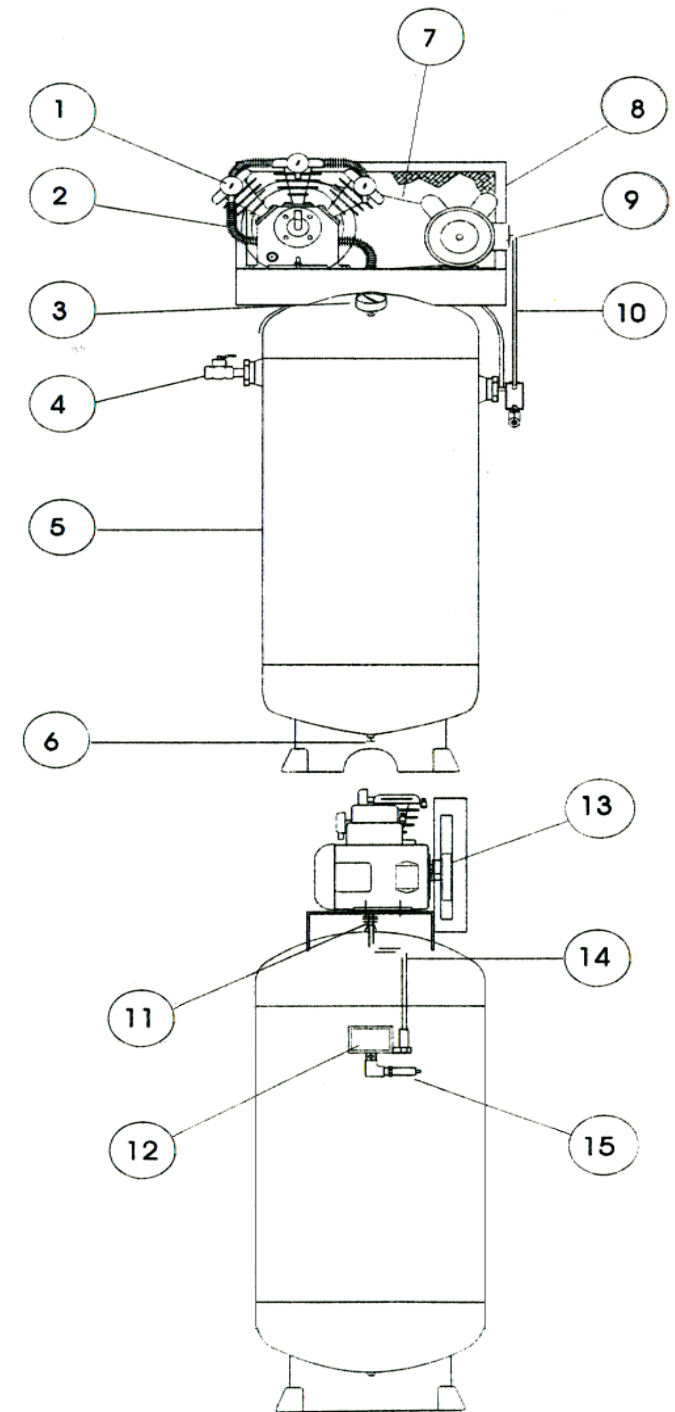
C5160V1-MAP

Call 1-800-551-2406 for the Customer Service Department.

MAXair Premium Air Compressor part breakdown - C7180V1-MS-MAP

Item	Description	C7180V1-MS-MAP
1	Compressor w/ Flywheel	PV05AHP
2	Discharge Tube (2.5ft)	TU-1-CS-065
	Fitting/Elbow	F041S-16SP & 48-16H
3	Pressure Gauge	PGLF200-2.5BM1/4
4	Outlet Valve	BV3/4MF
5	Air Receiver	80VE20X63-Y
6	Drain Cock	BV1/4MF
7	V-Belt	A73 (2)
8	Belt Guard	BG80GAL
9	Motor - 1 Phase, 208/230V	EM07.5-18-10
10	Wiring Harness	N/A
11	Check Valve	P1010S-T
12	Pressure Switch	21UCBDB-170
13	Pulley - Motor	2MAL82
	Hub or Bushing	LX13/8
14	Unloader Tube w/ Fittings	TU-1/4-CU & 68-4A
15	Safety Valve	PSV1/4-170
	Eagle Compressor Oil	EAOIL10

* For C7180V1-MS-MAP add Magnetic Starter part # MS60981104



C7180V1-MS-MAP

MAXair PREMIUM



Call 1-800-551-2406 for the Customer Service Department.