

MAXair Premium Air Compressor part breakdown - TT55G-MAP

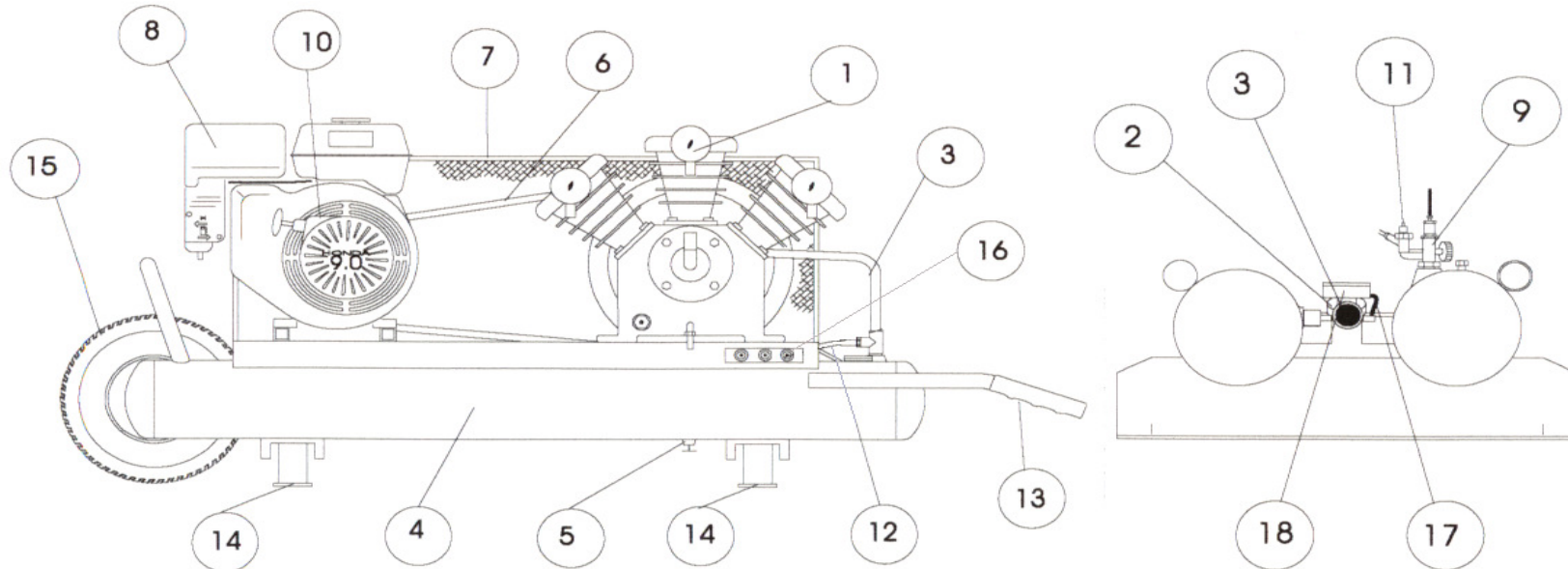


Item	Description	TT55G-MAP	Item	Description	TT55G-MAP
1	Compressor w/ Flywheel	PV02AHP	11	Safety Valve	PSV1/4-170
	Discharge Tube w/ Fittings	TU-25-AL	12	Engine Control w/ Cable	TCP-48
2	Pressure Gauge (Tank)	PGLF200-2.5BM1/4	13	Handle Grip	TT-GRIP (2)
3	Regulator	R202-1/4	14	Vibration Damper	TT-FOOT (4)
4	Air Receiver	10TT41X5-Y	15	Pneumatic Wheel	TT-WHEEL
5	Drain Cock (2)	DC1/4		Axle	WA1001
6	V-Belt	A49	16	Coupler	CPL-DUO
7	Belt Guard	TT-GUARD	17	Hose Assembly - Regulator	TT-HOSE
8	Engine - Honda	GX160K1QX6	18	Pressure Gauge (Regulator)	PT0160
9	Pilot Unloader w/ Check Valve	LMV100F		Eagle Compressor Oil	EAOIL10
10	Pulley - Engine	MAL37			
	Pulley Bushing - Engine	LX3/4			

MAXair

PREMIUM

TT55G-MAP



Call 1-800-551-2406 for the Customer Service Department.

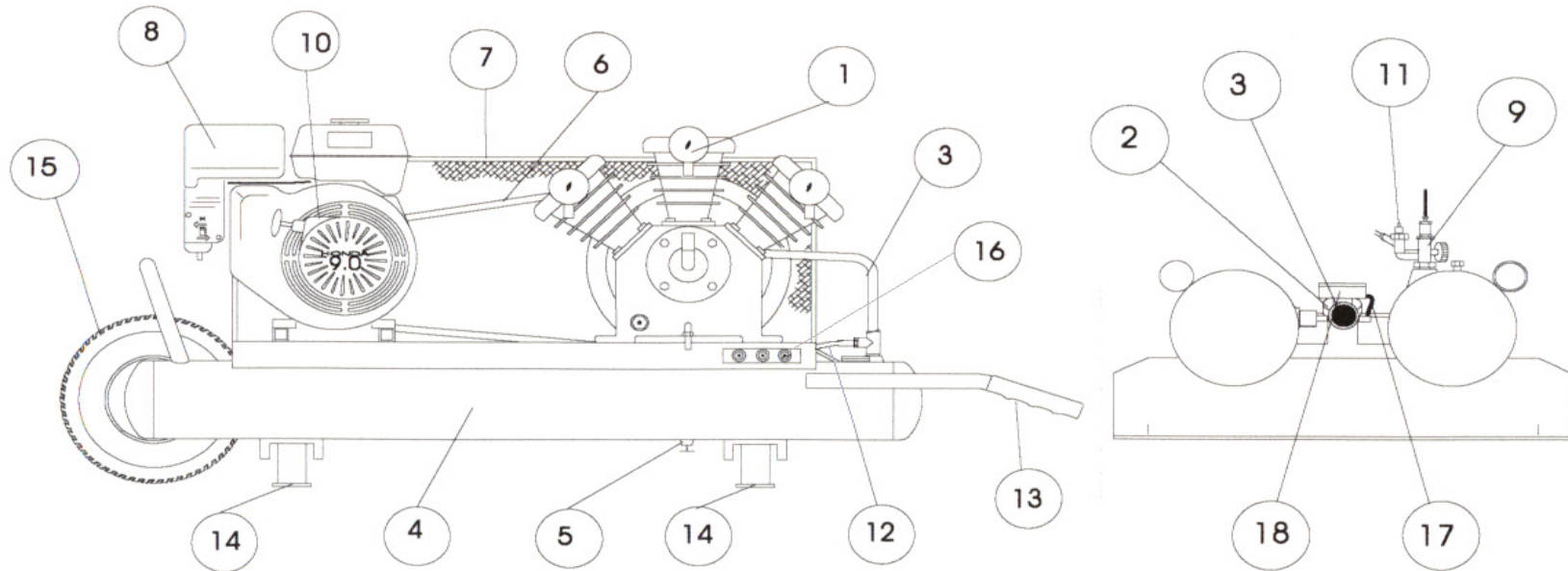
MAXair Premium Air Compressor part breakdown - TT90G-MAP

Item	Description	TT90G-MAP	Item	Description	TT90G-MAP
1	Compressor w/ Flywheel	PT03AHP	11	Safety Valve	PSV1/4-170
	Discharge Tube w/ Fittings	TU-25-AL	12	Engine Control w/ Cable	TCLP-48
2	Pressure Gauge (Tank)	PGLF200-2.5BM1/4	13	Handle Grip	TT-GRIP (2)
3	Regulator	R202-1/4	14	Vibration Damper	TT-FOOT (4)
4	Air Receiver	10TT41X5-Y	15	Pneumatic Wheel	TT-WHEEL
5	Drain Cock (2)	DC1/4		Axle	WA1001
6	V-Belt	A54	16	Coupler	CPL-TRI
7	Belt Guard	TT-GUARD	17	Hose Assembly - Regulator	TT-HOSE
8	Engine - Honda	GX270QA6	18	Pressure Gauge (Regulator)	PT0160
9	Pilot Unloader w/ Check Valve	LMV100F		Eagle Compressor Oil	EAOIL10
10	Pulley - Engine	MAL37			
	Pulley Bushing - Engine	LX1			



MAXair PREMIUM

TT90G-MAP



Call 1-800-551-2406 for the Customer Service Department.

Eagle Air Compressor part breakdown sheet - Twin Tank Gas TT90GE-MAP

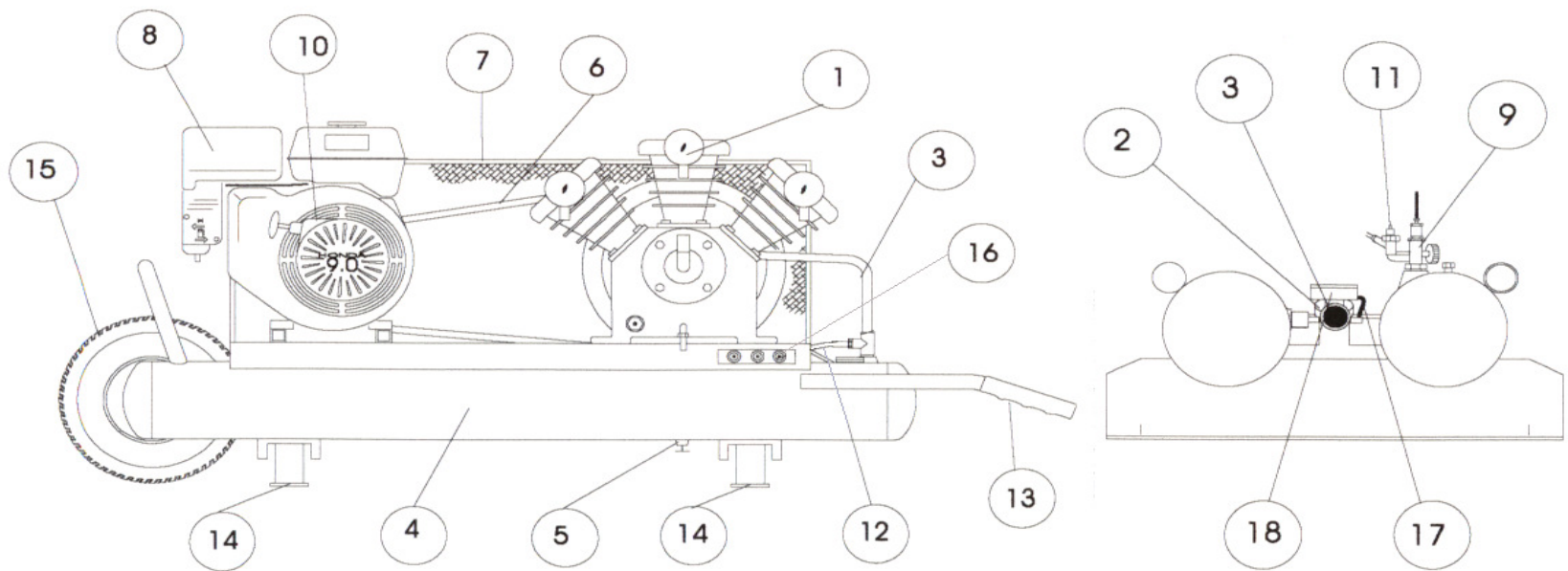


Item	Description	TT90GE-MAP	Item	Description	TT90GE-MAP
1	Compressor w/ Flywheel	PT03AHP	11	Safety Valve	PSV1/4-170
	Discharge Tube w/ Fittings	TU-25-AL	12	Engine Control w/ Cable	TCLP-48
2	Pressure Gauge (Tank)	PGLF200-2.5BM1/4	13	Handle Grip	TT-GRIP (2)
3	Regulator	R202-1/4	14	Vibration Damper	TT-FOOT (4)
4	Air Receiver	10TT41X5-Y	15	Pneumatic Wheel	TT-WHEEL
5	Drain Cock (2)	DC1/4		Axle	WA1001
6	V-Belt	A54	16	Coupler	CPL-TRI
7	Belt Guard	TT-GUARD	17	Hose Assembly - Regulator	TT-HOSE
8	Engine - Honda	GX270QAE	18	Pressure Gauge (Regulator)	PT0160
9	Pilot Unloader w/ Check Valve	LMV100F		Eagle Compressor Oil	EAOIL10
10	Pulley - Engine	MAL37			
	Pulley Bushing - Engine	LX1			

MAXair

PREMIUM

TT90GE-MAP



Call 1-800-551-2406 for the Customer Service Department.